

# 101344

## ShieldPlus Downlight

### FEATURES

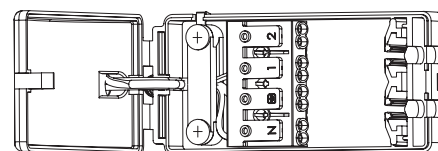
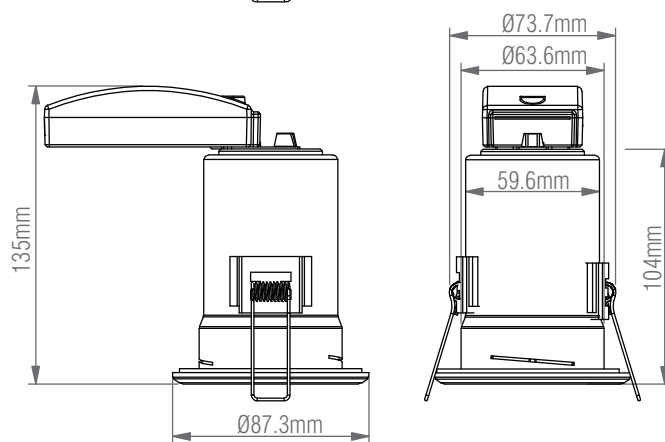
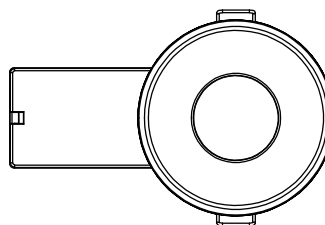
- 2 years warranty
- Matt black & clear glass finish
- Constructed from die cast aluminium alloy & glass & steel
- Cast bezel with chamfered tabs to aid easy lamp replacement
- IP65. Suitable for bathroom zone 2
- Suitable for bathroom zone 1 if used in conjunction with a 30MA RCD
- Fire rated 30/60/90 minutes and acoustically rated

### SPEC DATA

Product Wattage:	Max. 50W GU10 (required)
Dimmable:	Y
Product Voltage:	220-240V
Hertz:	50/60
Product Weight (KG):	0.288
Cut hole Dia:	Ø73mm
Minimum Cavity Depth:	135mm
Terminal Block:	4-way fast fix
Class:	1

### ACCESSORIES

- 70257, GU10 LED 60°, 3000K
- 70258, GU10 LED 60°, 4000K
- 74045, GU10 LED 60°, 6000K
- 70259, GU10 LED dimmable 60°, 3000K
- 70260, GU10 LED dimmable 60°, 4000K
- 74048, GU10 LED dimmable 60°, 6000K



Quick fit