

Set of 2 Chrome Ceramic Dimple Table Lamps with Grey Shades



LIGHT SOURCE DATA

- 2 x 60W Max E14 SES (required)
- Lamp direction - Indirect
- Lamp shape - Standard
- Non-dimmable
- Energy class: Not applicable

DIMENSION DATA

- Height 320mm
- Diameter 200mm

- Weight 1.98kg

SPECIFICATION

- Manufacturer warranty for 2 years from date of purchase
- Chrome glaze with polished chrome plate detail and grey cotton
- IP20
- In-line On/Off Switch
- Class II - Double Insulated, No Earth
- 240V
- Assembly required? No
- CE Marking, UKCA Marking, Energy Efficient, Energy Saving

CERTIFICATION



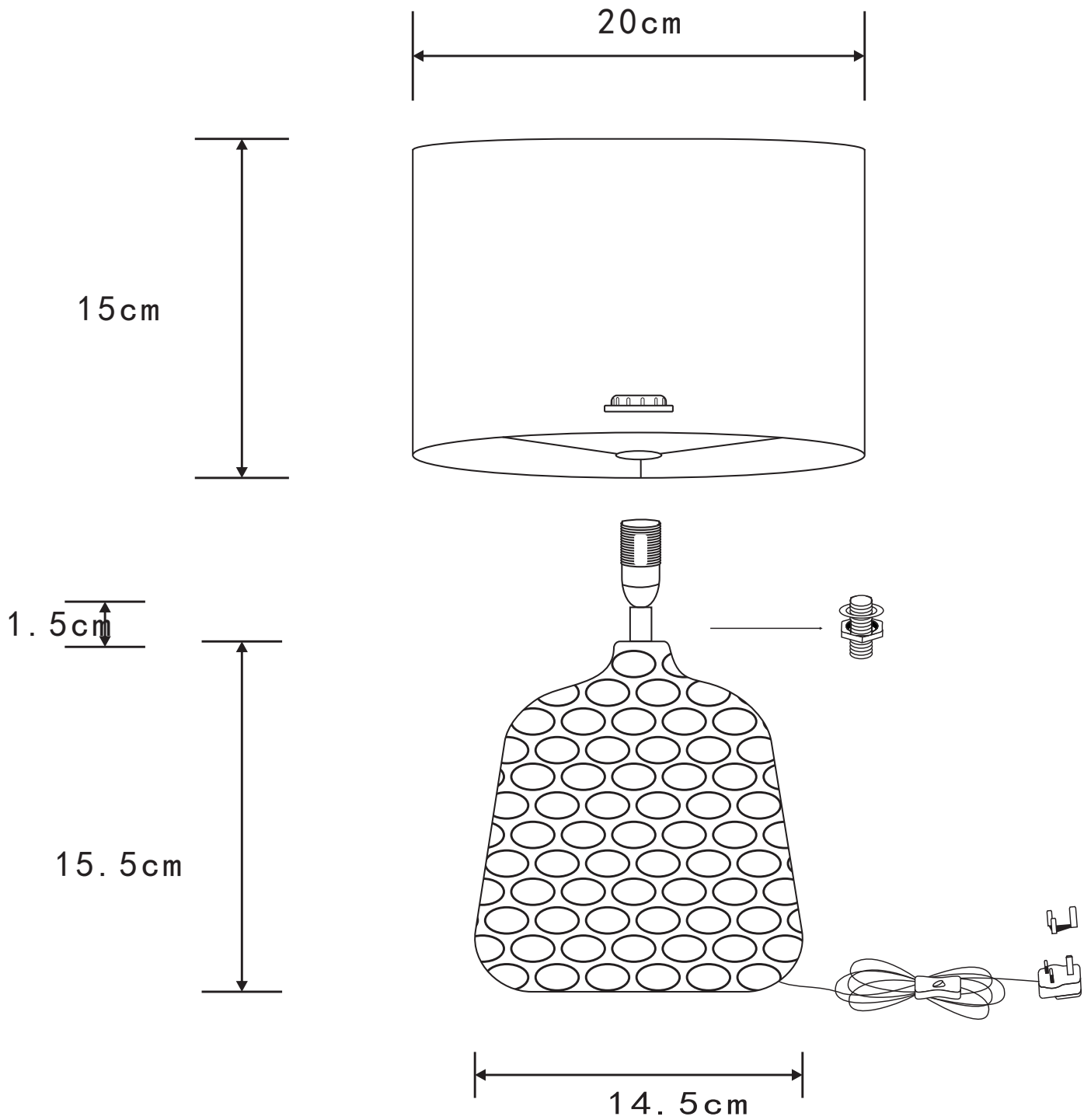
CONTACT

www.firstchoicelighting.co.uk

info@firstchoicelighting.co.uk

FCL-10722X2

Set of 2 Chrome Ceramic Dimple Table Lamps with Grey Shades



CERTIFICATION



CONTACT

www.firstchoicelighting.co.uk

info@firstchoicelighting.co.uk

ISSUE DATE 16/02/2023

PAGE 2