

Brushed Copper 39cm Touch Lamp with White Shade

**LIGHT SOURCE DATA**

- 40W Max E14 SES (required)
- Lamp direction - Indirect
- Lamp shape - Standard
- Non-dimmable
- Energy range: A++, A+, A, B, C, D, E

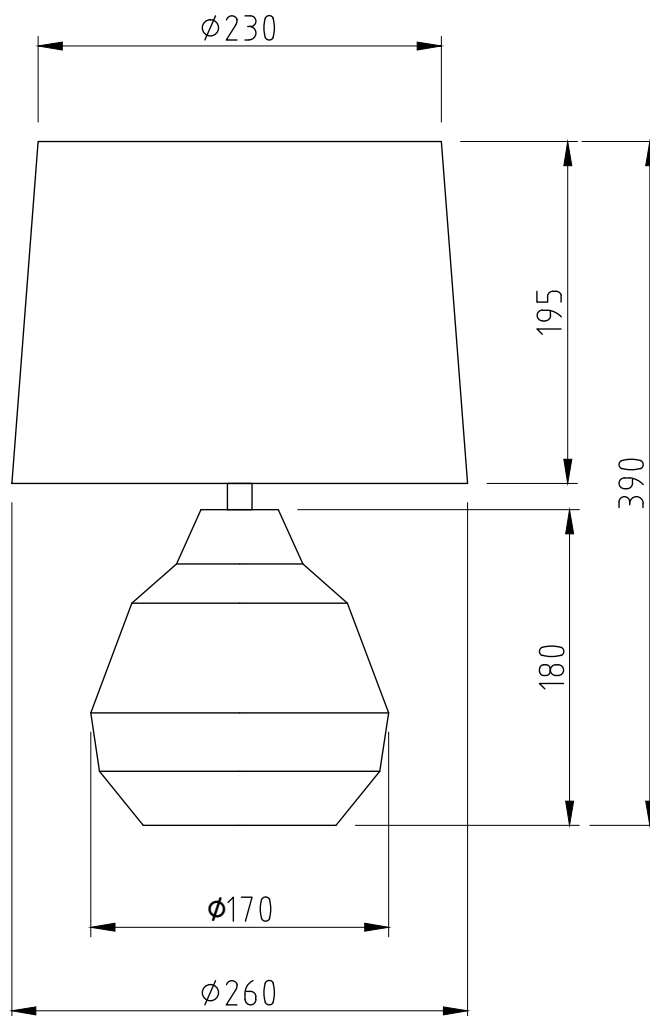
**DIMENSION DATA**

- Height 390mm
- Diameter 260mm
  
- Weight .82kg

**SPECIFICATION**

- Manufacturer warranty for 2 years from date of purchase
- Brushed copper plate and textured white cotton
- IP20
- Touch On/Off Switch
- Class II - Double Insulated, No Earth
- 240V
- Assembly required? No
- Black flex and plug
- CE Marking, Energy Efficient, Energy Saving

**CERTIFICATION****CONTACT**[www.firstchoicelighting.co.uk](http://www.firstchoicelighting.co.uk)[info@firstchoicelighting.co.uk](mailto:info@firstchoicelighting.co.uk)



## CERTIFICATION



## CONTACT

[www.firstchoicelighting.co.uk](http://www.firstchoicelighting.co.uk)

[info@firstchoicelighting.co.uk](mailto:info@firstchoicelighting.co.uk)