

Set of 2 Matt Black With Fluted Glass Table Lamps



## LIGHT SOURCE DATA

- 2 x 40W Max E27 ES (required)
- Lamp direction - Indirect
- Lamp shape - Standard
- Non-dimmable
- Energy class: Not applicable

## DIMENSION DATA

- Height 400mm
- Width 270mm
- Depth 200mm
  
- Weight 2.42kg

## SPECIFICATION

- Manufacturer warranty for 2 years from date of purchase
- Matt black with satin nickel plate detail and clear ribbed glass
- IP20
- In-line On/Off Switch
- Class II - Double Insulated, No Earth
- 240V
- Assembly required? No
- CE Marking, UKCA Marking, Energy Efficient, Energy Saving

## CERTIFICATION



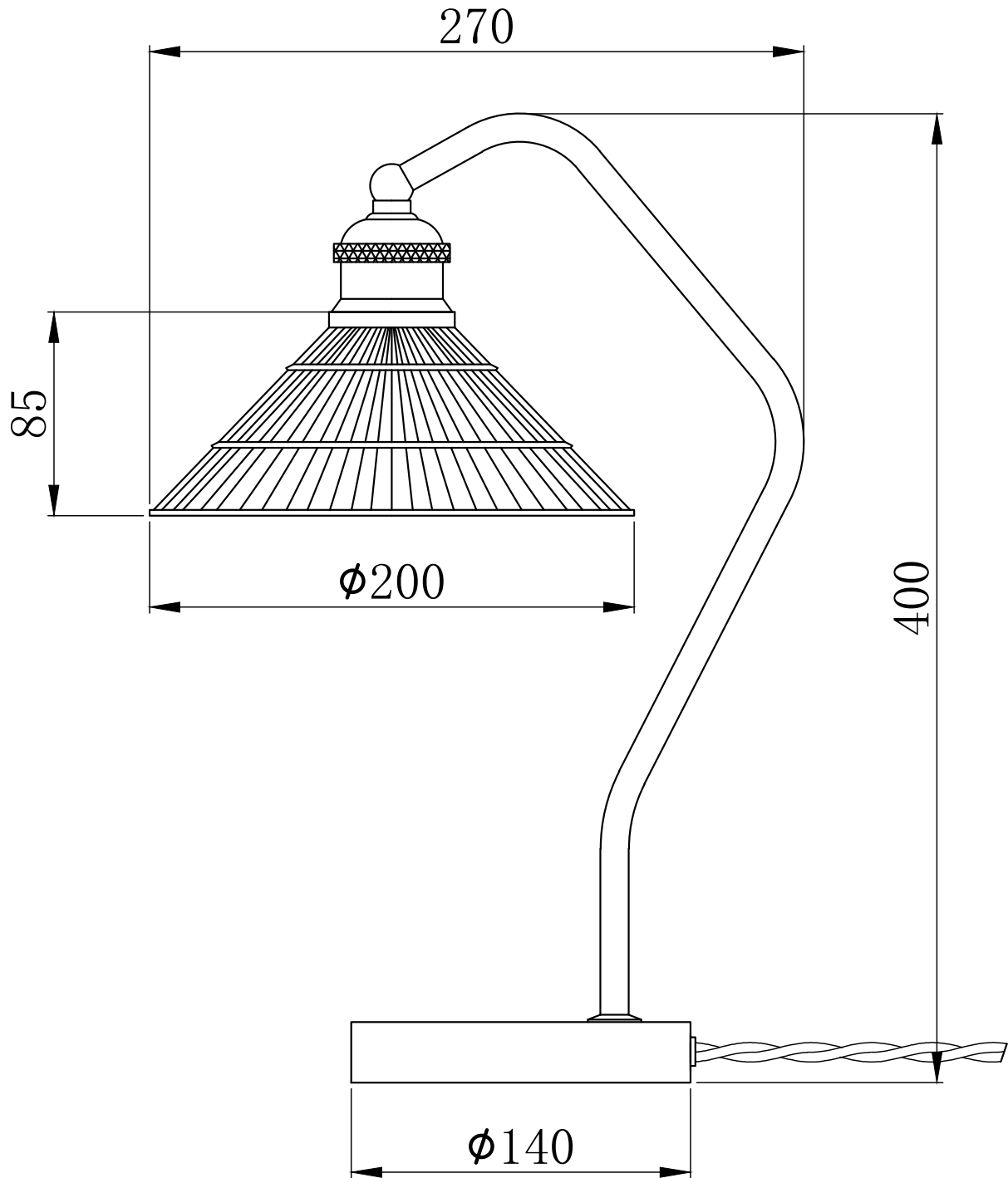
## CONTACT

[www.firstchoicelighting.co.uk](http://www.firstchoicelighting.co.uk)

[info@firstchoicelighting.co.uk](mailto:info@firstchoicelighting.co.uk)

# FCL-11553X2

Set of 2 Matt Black With Fluted Glass Table Lamps



## CERTIFICATION



## CONTACT

[www.firstchoicelighting.co.uk](http://www.firstchoicelighting.co.uk)

[info@firstchoicelighting.co.uk](mailto:info@firstchoicelighting.co.uk)

ISSUE DATE 16/02/2023

PAGE 2