



## LIGHT SOURCE DATA

- 40W Max E27 ES (required)
- Lamp direction - Indirect
- Lamp shape - Standard
- Dimmable
- Energy range: A++, A+, A, B, C, D, E

## DIMENSION DATA

- Height 220mm
- Width 200mm
- Depth 260mm
- Weight .64kg

## SPECIFICATION

- Manufacturer warranty for 2 years from date of purchase
- Matt black paint with satin nickel plate detail and clear ribbed glass
- IP20
- Class I - Single Insulated, Earthed
- 240V
- Assembly required? No
- CE Marking, Energy Efficient, Energy Saving

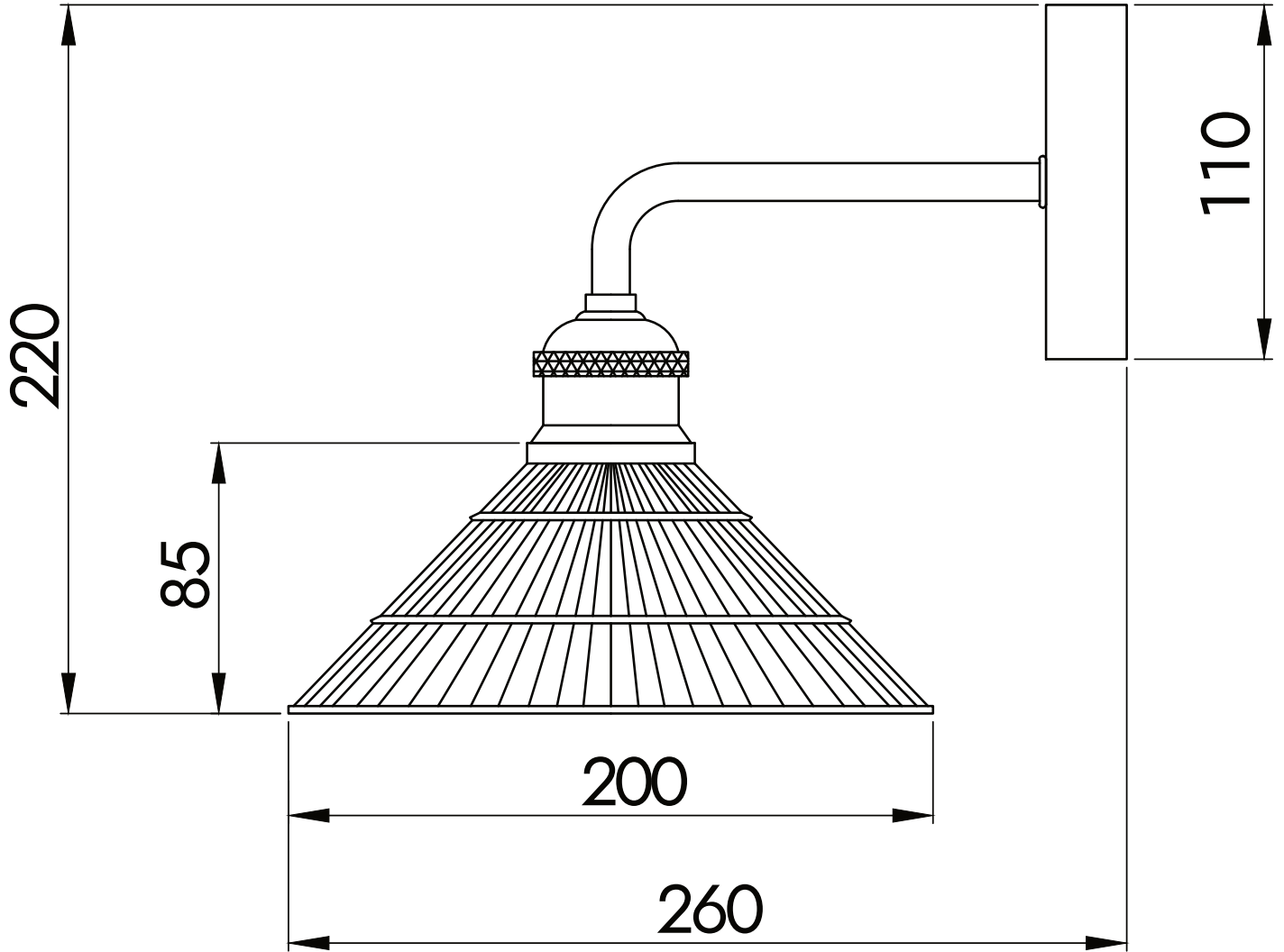
## CERTIFICATION



## CONTACT

[www.firstchoicelighting.co.uk](http://www.firstchoicelighting.co.uk)

[info@firstchoicelighting.co.uk](mailto:info@firstchoicelighting.co.uk)



CERTIFICATION



CONTACT

[www.firstchoicelighting.co.uk](http://www.firstchoicelighting.co.uk)

[info@firstchoicelighting.co.uk](mailto:info@firstchoicelighting.co.uk)