



LIGHT SOURCE DATA

- 40W Max E27 ES (required)
- Lamp direction - Downwards
- Lamp shape - Standard
- Non-dimmable
- Energy class: Not applicable

DIMENSION DATA

- Height 461mm
- Width 513mm
- Depth 185mm

- Weight 1.86kg

SPECIFICATION

- Manufacturer warranty for 2 years from date of purchase
- Satin nickel plate with gloss white detail
- IP20
- In-line On/Off Switch
- Class II - Double Insulated, No Earth
- 240V
- Assembly required? Yes
- CE Marking, UKCA Marking, Energy Efficient, Energy Saving

CERTIFICATION



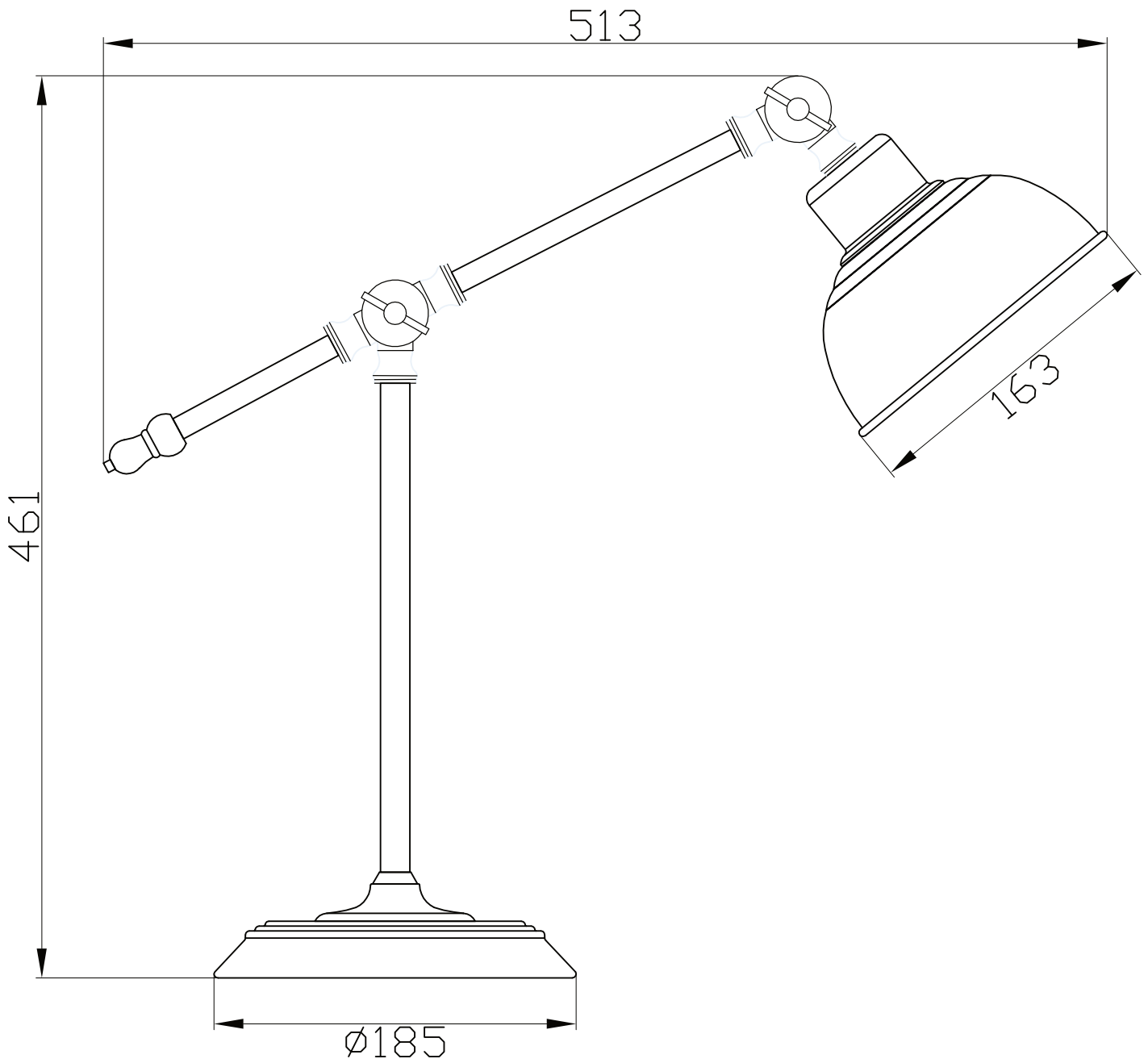
CONTACT

www.firstchoicelighting.co.uk

info@firstchoicelighting.co.uk

FCL-11564

Satin Nickel Lever Arm Table Lamp



CERTIFICATION



CONTACT

www.firstchoicelighting.co.uk

info@firstchoicelighting.co.uk

ISSUE DATE 16/02/2023

PAGE 2