

Elstead - Feiss - Matrimonio DL-MATRIMONIO1MP Pendant



REFERENCE

- SKU: FCL-11788
- Supplier SKU: DL-MATRIMONIO1MP
- Barcode: 5024005386216

DESCRIPTION

Inspired by antique, Italian wedding chandeliers, the traditional Matrimonio collection is named after the Italian word for wedding. The warm Driftwood finish brings out the rich depth of the turned details while still maintaining an overall elegantly simple and clean aesthetic.

CATEGORY

- Brand: Feiss Lighting
- Family: Matrimonio
- Category: Indoor Lighting / Ceiling / Single

APPEARANCE

- Base: Dark Weathered Zinc
- Shade: Clear Glass
- Detail: Driftwood

DIMENSION

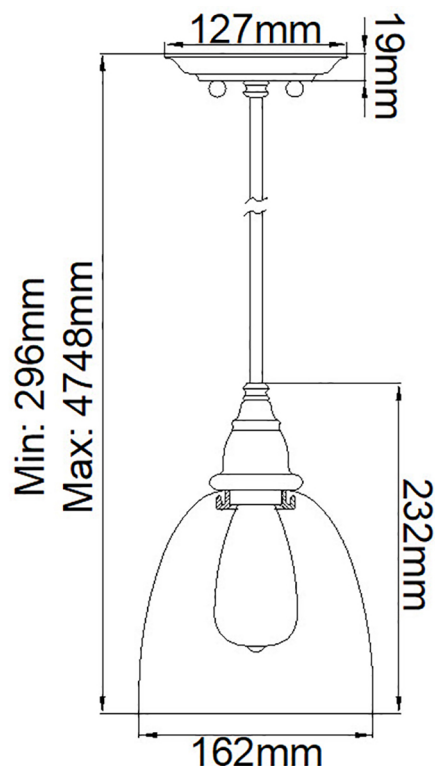
- Height: 296 - 4748mm
- Diameter: 162mm
- Weight: 1.35kg

LIGHT SOURCE

- Lamp included: No
- Lamp detail: 60W Max E27 ES (required)
- Dimmable
- Energy class: Not applicable
- Switch: No

SPECIFICATION

- Ingress protection: IP20
- Class: Class I - Single Insulated, Earthed
- Voltage: 240V



CONTACT

