



---

## LIGHT SOURCE DATA

- 2 x 35W Max GU10 Halogen (required)
- Lamp direction - Upwards & Downwards
- Lamp shape - Reflector/Pear Shape
- Dimmable
- Energy class: Not applicable

## DIMENSION DATA

- Height 145mm
- Width 65mm
- Depth 95mm
  
- Weight 0.45kg

---

## SPECIFICATION

- Manufacturer warranty for 2 years from date of purchase
- Grey and clear glass
- IP44
- No
- Class I - Single Insulated, Earthed
- 240V
- Assembly required? No
- CE Marking, UKCA Marking, Energy Efficient, Energy Saving

---

## CERTIFICATION

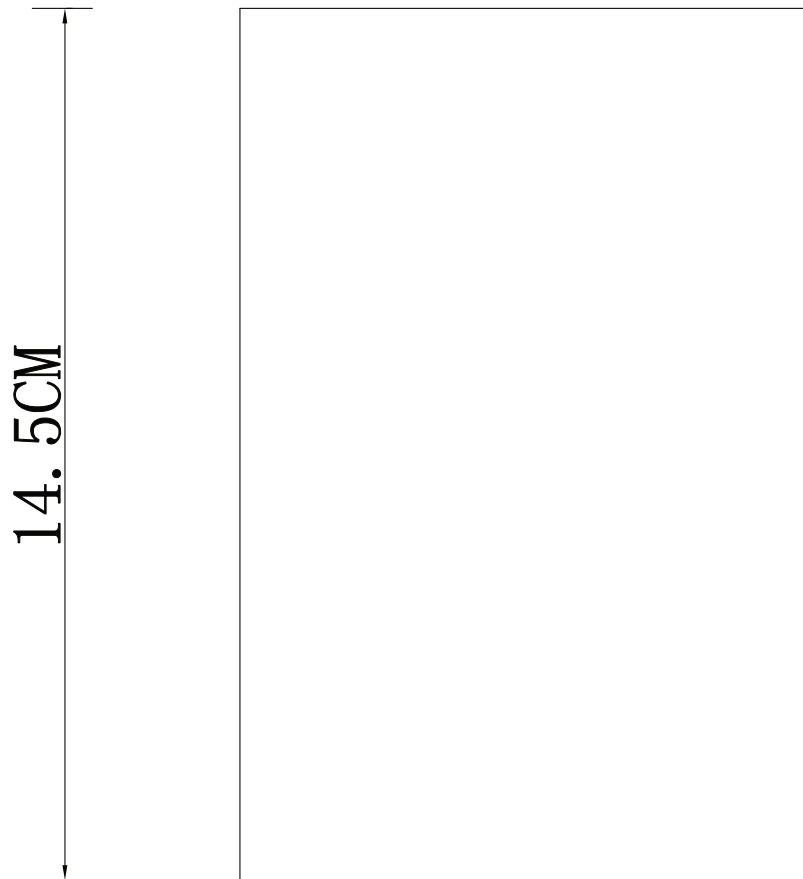
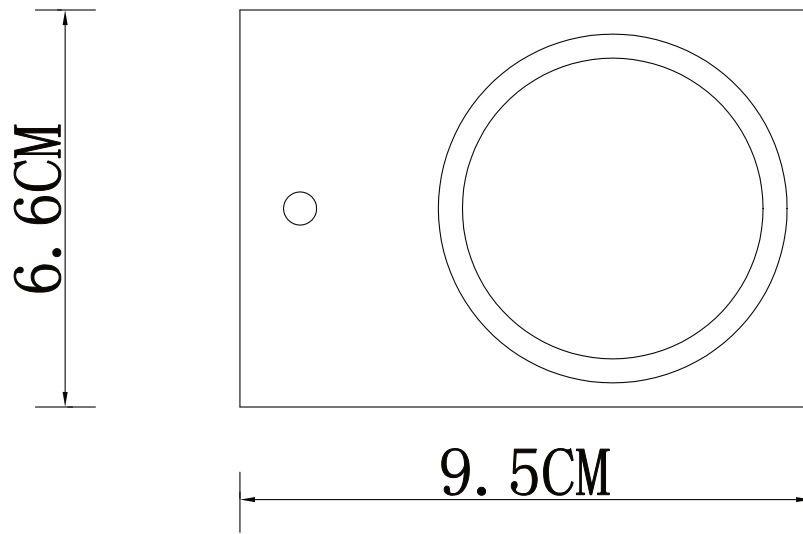


---

## CONTACT

[www.firstchoicelighting.co.uk](http://www.firstchoicelighting.co.uk)

[info@firstchoicelighting.co.uk](mailto:info@firstchoicelighting.co.uk)



## CERTIFICATION



## CONTACT

[www.firstchoicelighting.co.uk](http://www.firstchoicelighting.co.uk)

[info@firstchoicelighting.co.uk](mailto:info@firstchoicelighting.co.uk)