



LIGHT SOURCE DATA

- 40W Max E27 ES (required)
- Lamp direction - Indirect
- Lamp shape - Standard
- Dimmable
- Energy class: Not applicable

DIMENSION DATA

- Height 315mm
- Width 120mm
- Depth 166mm

- Weight 0.9kg

SPECIFICATION

- Manufacturer warranty for 2 years from date of purchase
- Black and clear PC
- IP44
- No
- Class I - Single Insulated, Earthed
- 240V
- Assembly required? No
- CE Marking, UKCA Marking, Energy Efficient, Energy Saving

CERTIFICATION



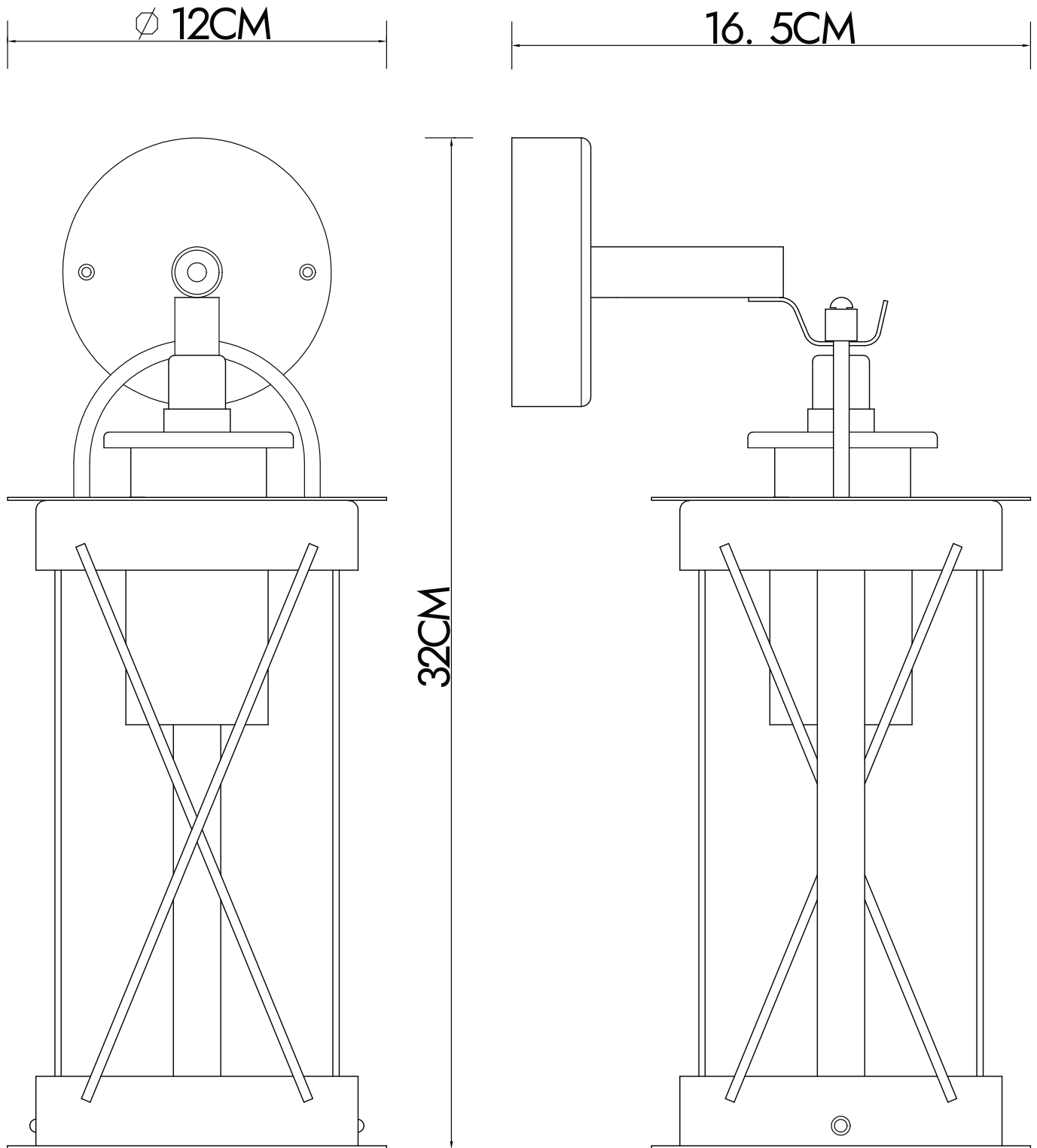
CONTACT

www.firstchoicelighting.co.uk

info@firstchoicelighting.co.uk

FCL-12718

Neptune - Black Outdoor Wall Lantern Light



CERTIFICATION



CONTACT

www.firstchoicelighting.co.uk

info@firstchoicelighting.co.uk

ISSUE DATE 16/02/2023

PAGE 2