

Set of 2 Montreal - Brushed Stainless Steel Outdoor Wall Lights



LIGHT SOURCE DATA

- 2 x 60W Max E27 ES (required)
- Lamp direction - Downwards
- Lamp shape - Standard
- Dimmable
- Energy class: Not applicable

DIMENSION DATA

- Height 323mm
- Width 260mm
- Depth 307mm

- Weight 2.25kg

SPECIFICATION

- Manufacturer warranty for 2 years from date of purchase
- Brushed stainless steel and clear glass
- IP44
- No
- Class I - Single Insulated, Earthed
- 240V
- Assembly required? No
- CE Marking, UKCA Marking, Energy Efficient, Energy Saving

CERTIFICATION



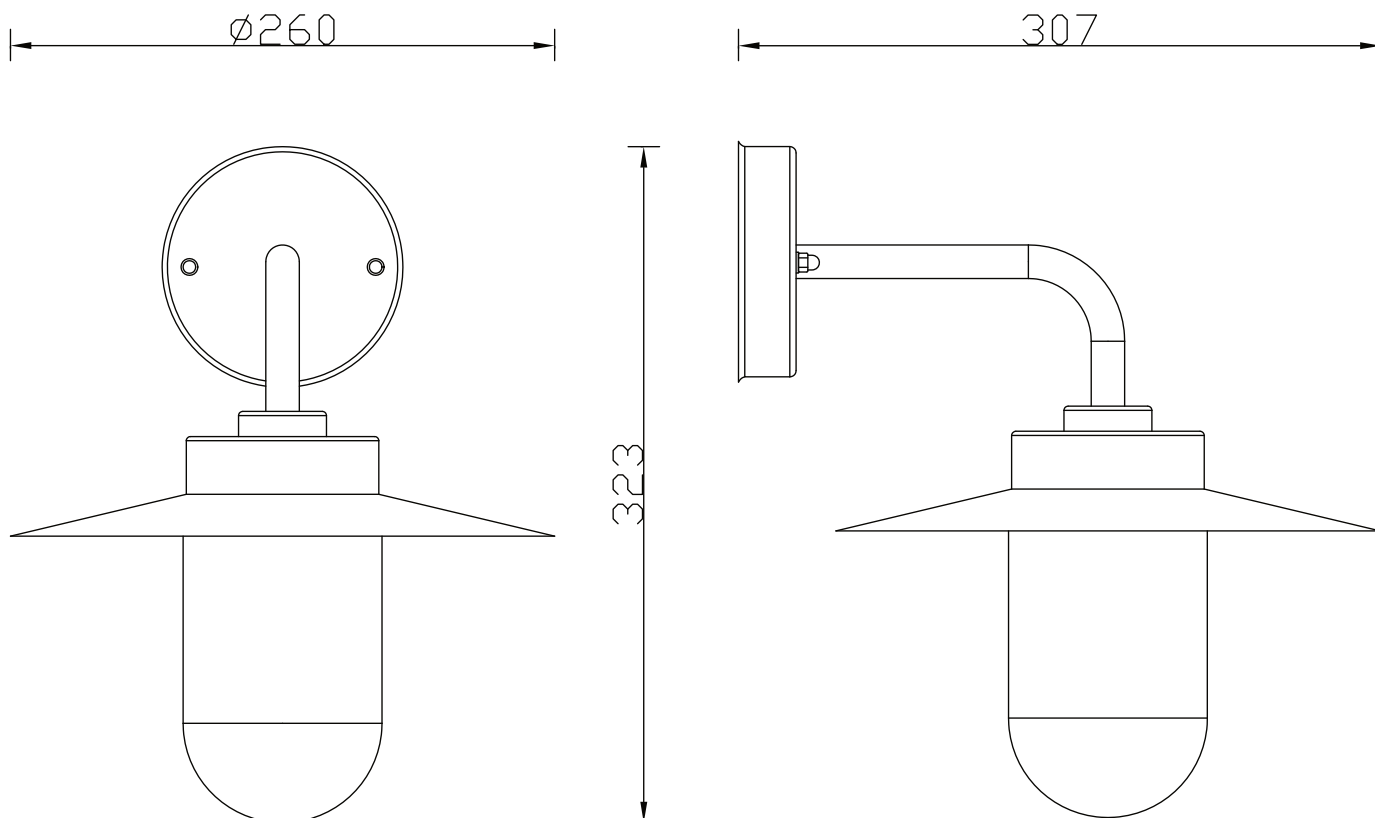
CONTACT

www.firstchoicelighting.co.uk

info@firstchoicelighting.co.uk

FCL-12723X2

Set of 2 Montreal - Brushed Stainless Steel Outdoor Wall Lights



CERTIFICATION



CONTACT

www.firstchoicelighting.co.uk

info@firstchoicelighting.co.uk