

Set of 2 Dinosaur 25cm Light Shades



LIGHT SOURCE DATA

- 2 x 60W Max B22 BC or E27 ES (required)
- Lamp direction - Indirect
- Lamp shape - Standard
- Dimmable
- Energy range: A++, A+, A, B, C, D, E

DIMENSION DATA

- Height 200mm
- Diameter 250mm

- Weight .2kg

SPECIFICATION

- Manufacturer warranty for 2 years from date of purchase
- Dinosaur digital print
- IP20
- No
- 240V
- Assembly required? No
- Energy Efficient, Energy Saving

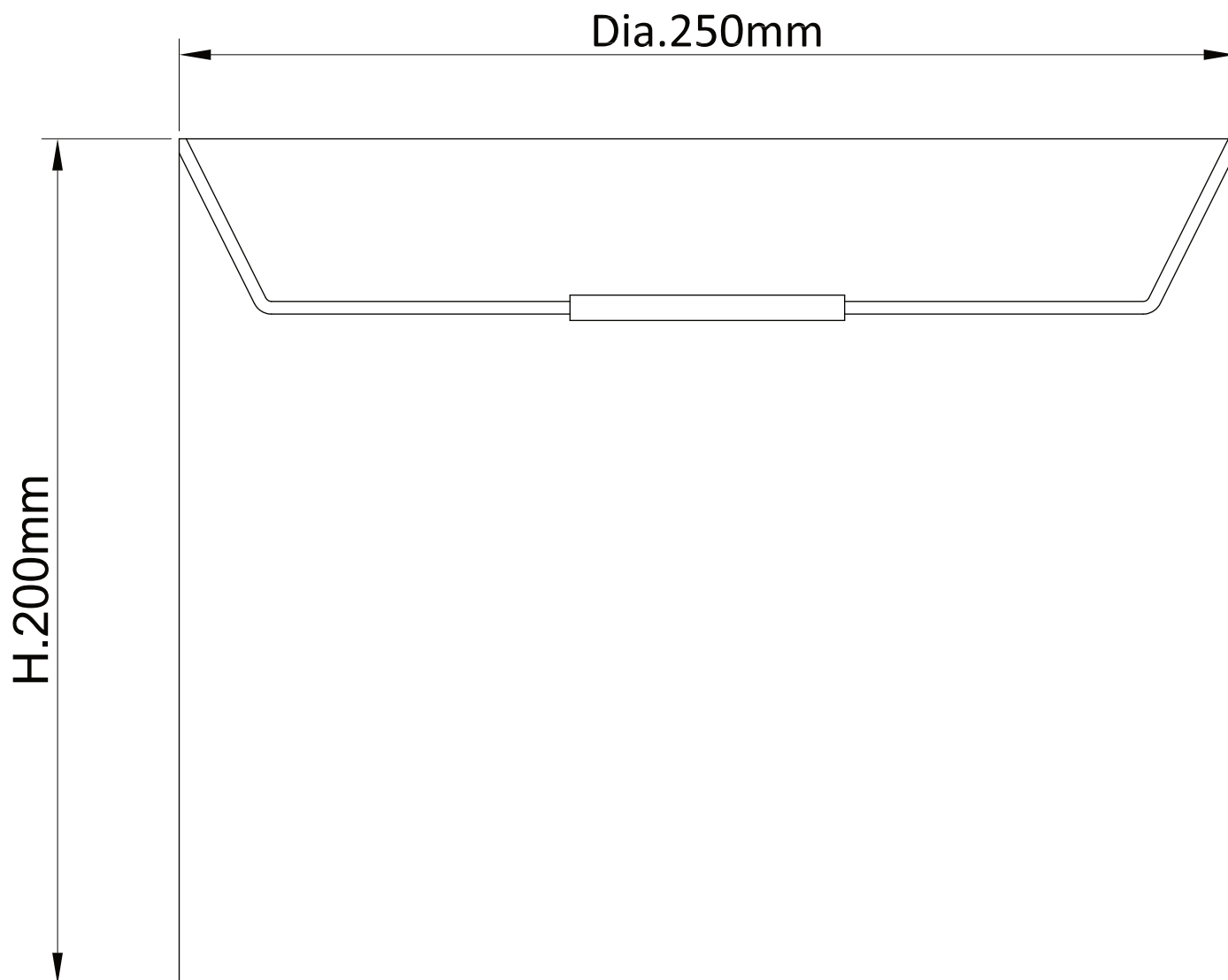
CERTIFICATION



CONTACT

www.firstchoicelighting.co.uk

info@firstchoicelighting.co.uk



CERTIFICATION



CONTACT

www.firstchoicelighting.co.uk

info@firstchoicelighting.co.uk