

Set of 2 Off White with Chrome Inner Scalloped Pendant Shades



LIGHT SOURCE DATA

- 2 x 60W Max B22 BC or E27 ES (required)
- Lamp direction - Indirect
- Lamp shape - Standard
- Dimmable
- Energy class: Not applicable

DIMENSION DATA

- Height 200mm
- Diameter 300mm

- Weight 0.8kg

SPECIFICATION

- Manufacturer warranty for 2 years from date of purchase
- Off white cotton with chrome inner detail
- IP20
- No
- 240V
- Assembly required? No
- CE Marking, UKCA Marking, Energy Efficient, Energy Saving

CERTIFICATION



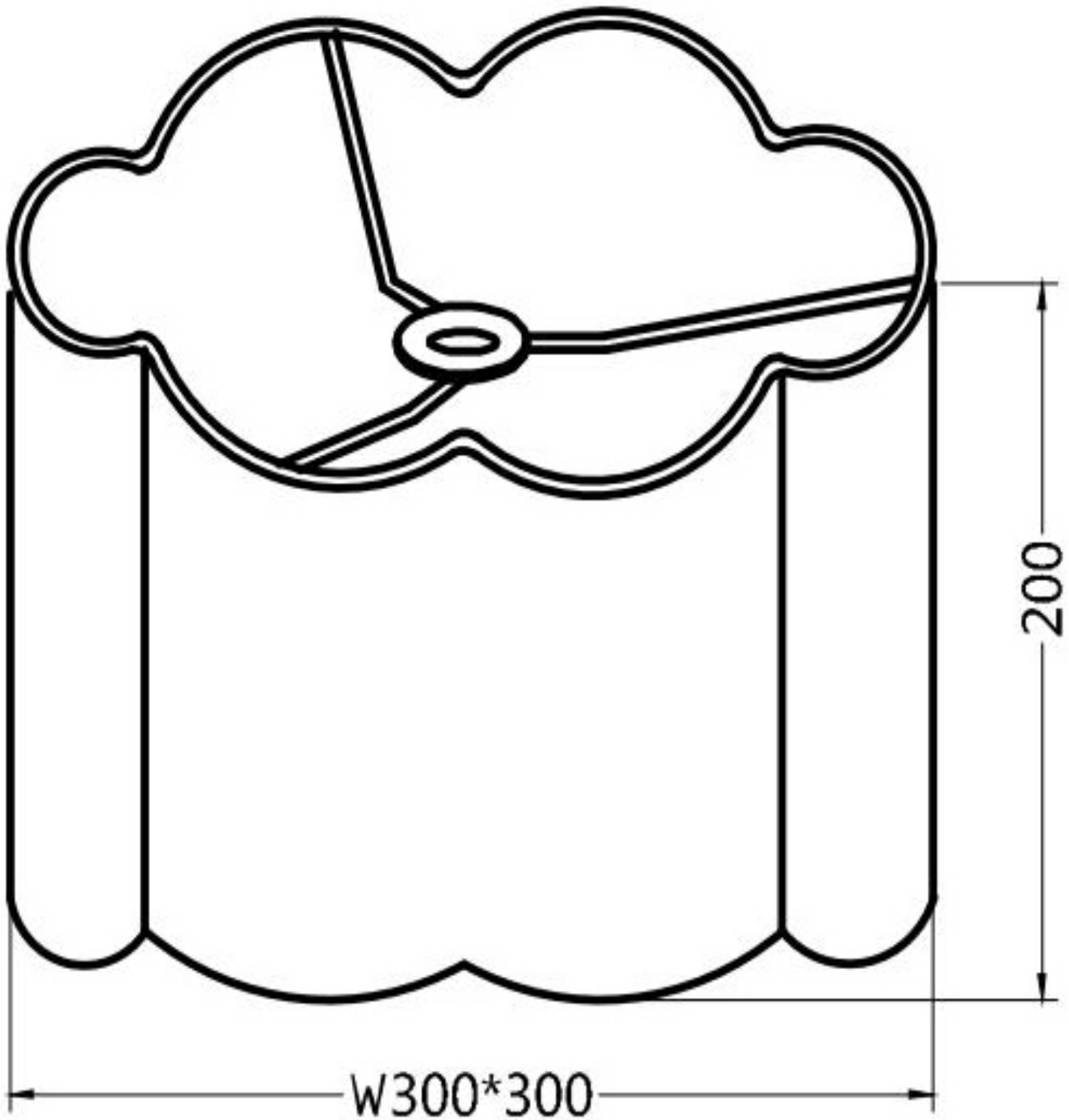
CONTACT

www.firstchoicelighting.co.uk

info@firstchoicelighting.co.uk

FCL-13389X2

Set of 2 Off White with Chrome Inner Scalloped Pendant Shades



CERTIFICATION



CONTACT

www.firstchoicelighting.co.uk

info@firstchoicelighting.co.uk

ISSUE DATE 16/02/2023

PAGE 2