

Pair of Retro White Tripod Table Lamps



LIGHT SOURCE DATA

- 2 x 60W Max E27 ES (required)
- Lamp direction - Indirect
- Lamp shape - Standard
- Non-dimmable
- Energy class: Not applicable

DIMENSION DATA

- Height 640mm
- Diameter 340mm

- Weight 3.42kg

SPECIFICATION

- Manufacturer warranty for 2 years from date of purchase
- White with gold detail
- IP20
- In-line On/Off Switch
- Class II - Double Insulated, No Earth
- 240V
- Assembly required? Yes
- CE Marking, UKCA Marking, Energy Efficient, Energy Saving

CERTIFICATION



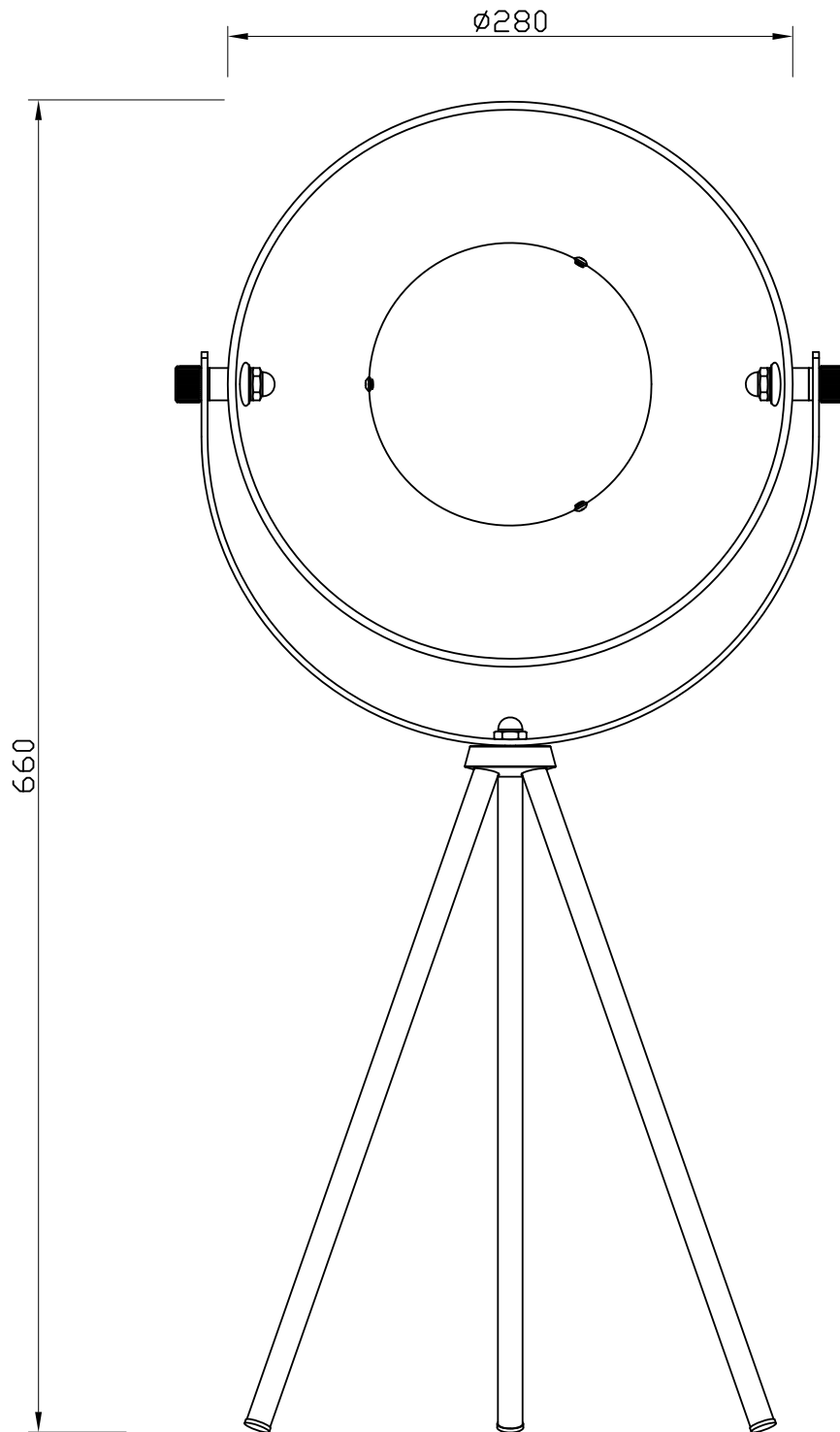
CONTACT

www.firstchoicelighting.co.uk

info@firstchoicelighting.co.uk

FCL-13454X2

Pair of Retro White Tripod Table Lamps



CERTIFICATION



CONTACT

www.firstchoicelighting.co.uk

info@firstchoicelighting.co.uk

ISSUE DATE 16/02/2023

PAGE 2