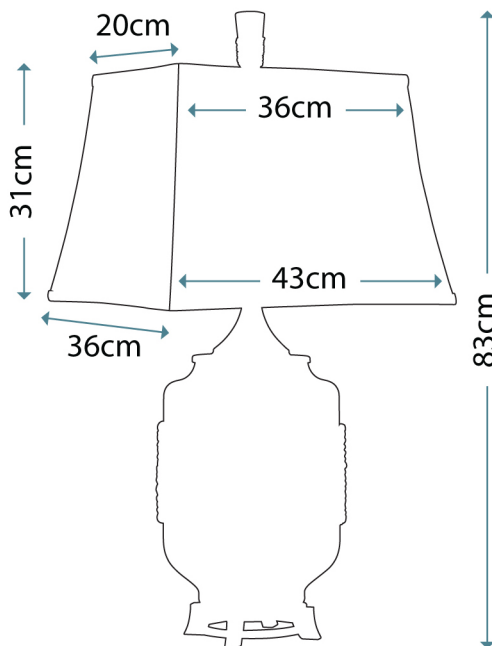


Elstead - Quoizel - Rigging - QZ-RIGGING Table Lamp



REFERENCE

- SKU: FCL-13754
- Supplier SKU: QZ-RIGGING
- Barcode: 5024005207818

DESCRIPTION

Mercury glass table lamp decorated with rope, including Slubbed Sand linen softback shade.

CATEGORY

- Brand: Quoizel
- Family: Rigging
- Category: Indoor Lighting / Table / Shade Included

APPEARANCE

- Base: Mercury Clear Glass
- Shade: Sand Linen

DIMENSION

- Height: 830mm
- Width: 430mm
- Depth: 360mm
- Weight: 7.1kg

LIGHT SOURCE

- Lamp included: No
- Lamp detail: 100W Max E27 ES (required)
- Non-dimmable
- Energy rating: A++, A+, A, B, C, D, E
- Switch: In-line On/Off Switch

SPECIFICATION

- Ingress protection: IP20
- Class: Class II - Double Insulated, No Earth
- Voltage: 240V

CONTACT