

Set of 2 Black IP44 Bathroom Wall Lights With Pull Cord Switch



LIGHT SOURCE DATA

- 2 x 25W Max G9 Halogen (required)
- Lamp direction - Indirect
- Lamp shape - Capsule
- Non-dimmable
- Energy class: Not applicable

DIMENSION DATA

- Height 177mm
- Width 80mm
- Depth 90mm

- Weight 0.4kg

SPECIFICATION

- Manufacturer warranty for 2 years from date of purchase
- Matt black and white glass
- IP44
- Pull Cord On/Off Switch
- Class I - Single Insulated, Earthed
- 240V
- Assembly required? No
- CE Marking, UKCA Marking, Energy Efficient, Energy Saving

CERTIFICATION



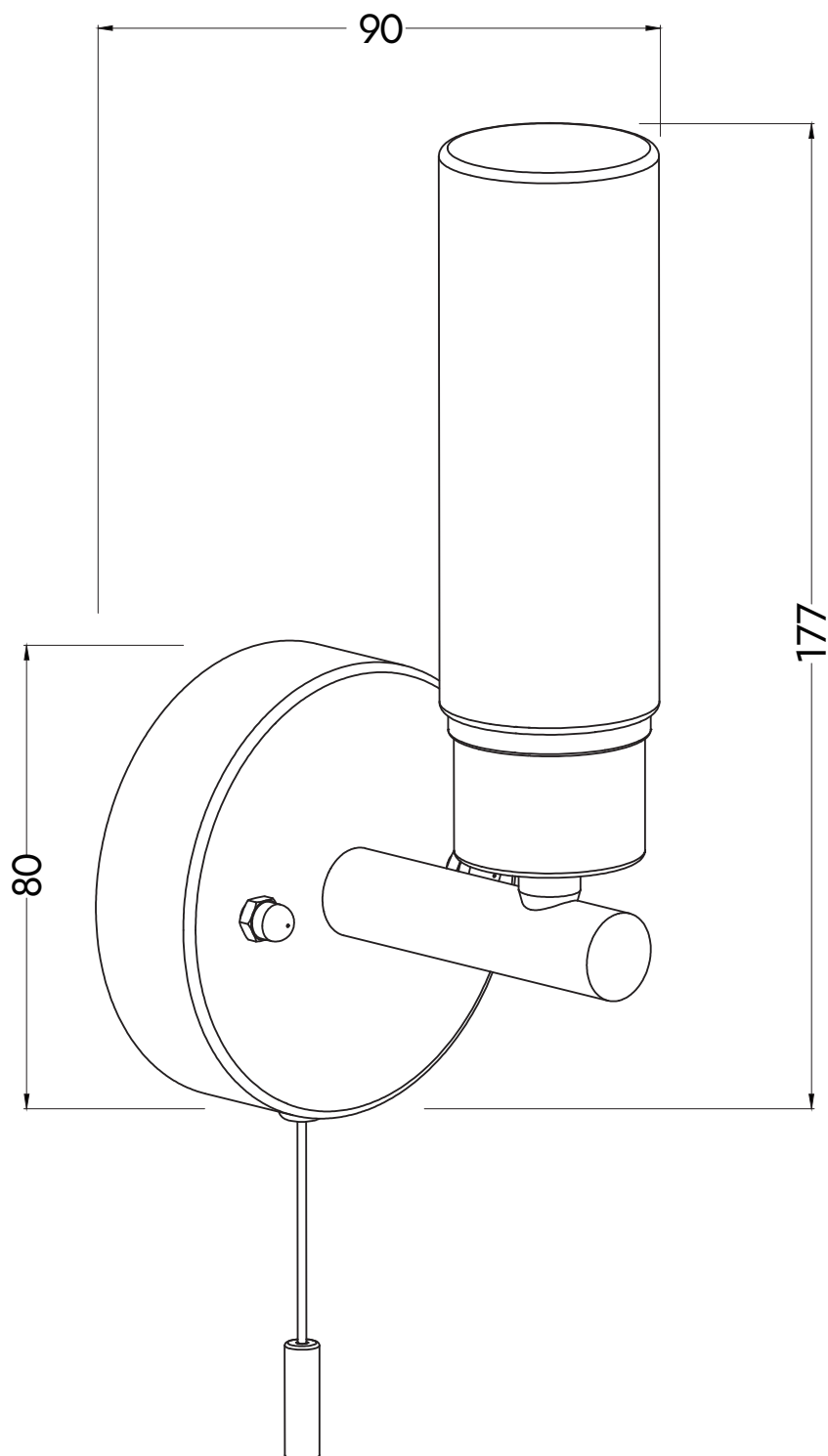
CONTACT

www.firstchoicelighting.co.uk

info@firstchoicelighting.co.uk

FCL-14466X2

Set of 2 Black IP44 Bathroom Wall Lights With Pull Cord Switch



CERTIFICATION



CONTACT

www.firstchoicelighting.co.uk

info@firstchoicelighting.co.uk

ISSUE DATE 16/02/2023

PAGE 2