

Set of 2 Black 3 Light IP44 Bathroom Round Spotlights



LIGHT SOURCE DATA

- 6 x 50W Max GU10 Halogen (required)
- Lamp direction - Downwards
- Lamp shape - Reflector/Pear Shape
- Dimmable
- Energy class: Not applicable

DIMENSION DATA

- Height 108mm
- Diameter 150mm
- Weight 1.22kg

SPECIFICATION

- Manufacturer warranty for 2 years from date of purchase
- Matt black paint
- IP44
- No
- Class I - Single Insulated, Earthed
- 240V
- Assembly required? No
- CE Marking, UKCA Marking, Energy Efficient, Energy Saving

CERTIFICATION



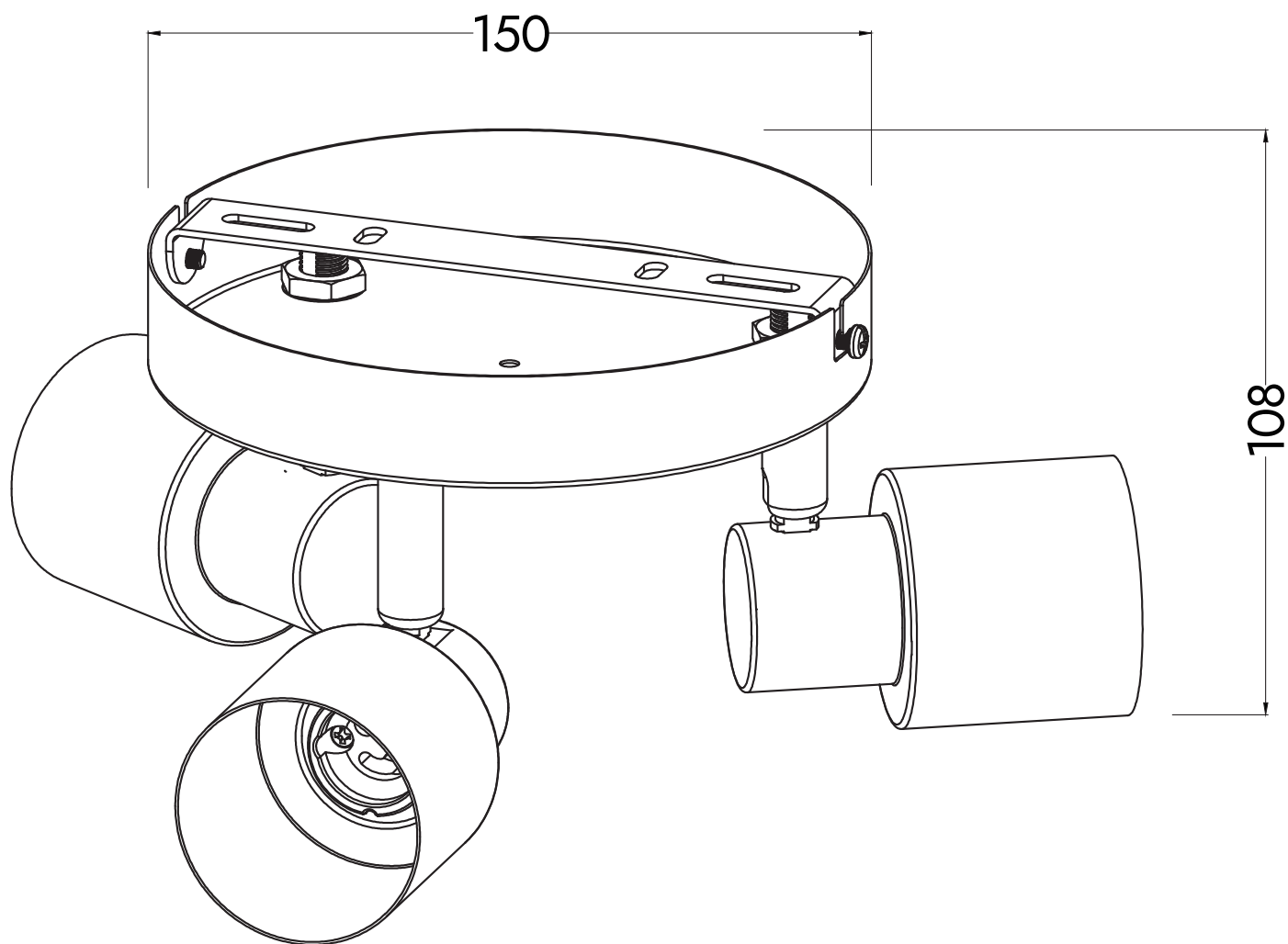
CONTACT

www.firstchoicelighting.co.uk

info@firstchoicelighting.co.uk

FCL-14467X2

Set of 2 Black 3 Light IP44 Bathroom Round Spotlights



CERTIFICATION



CONTACT

www.firstchoicelighting.co.uk

info@firstchoicelighting.co.uk

ISSUE DATE 16/02/2023

PAGE 2