

Set of 2 Maxwell - Mirage Blue Brushed Copper Wall Lights



## LIGHT SOURCE DATA

- 2 x 40W Max E27 ES (required)
- Lamp direction - Downwards
- Lamp shape - Standard
- Dimmable
- Energy class: Not applicable

## DIMENSION DATA

- Height 205mm
- Width 200mm
- Depth 240mm
  
- Weight 1.28kg

## SPECIFICATION

- Manufacturer warranty for 2 years from date of purchase
- Mirage blue with brushed copper plate detail
- IP20
- No
- Class I - Single Insulated, Earthed
- 240V
- Assembly required? No
- CE Marking, UKCA Marking, Energy Efficient, Energy Saving

## CERTIFICATION



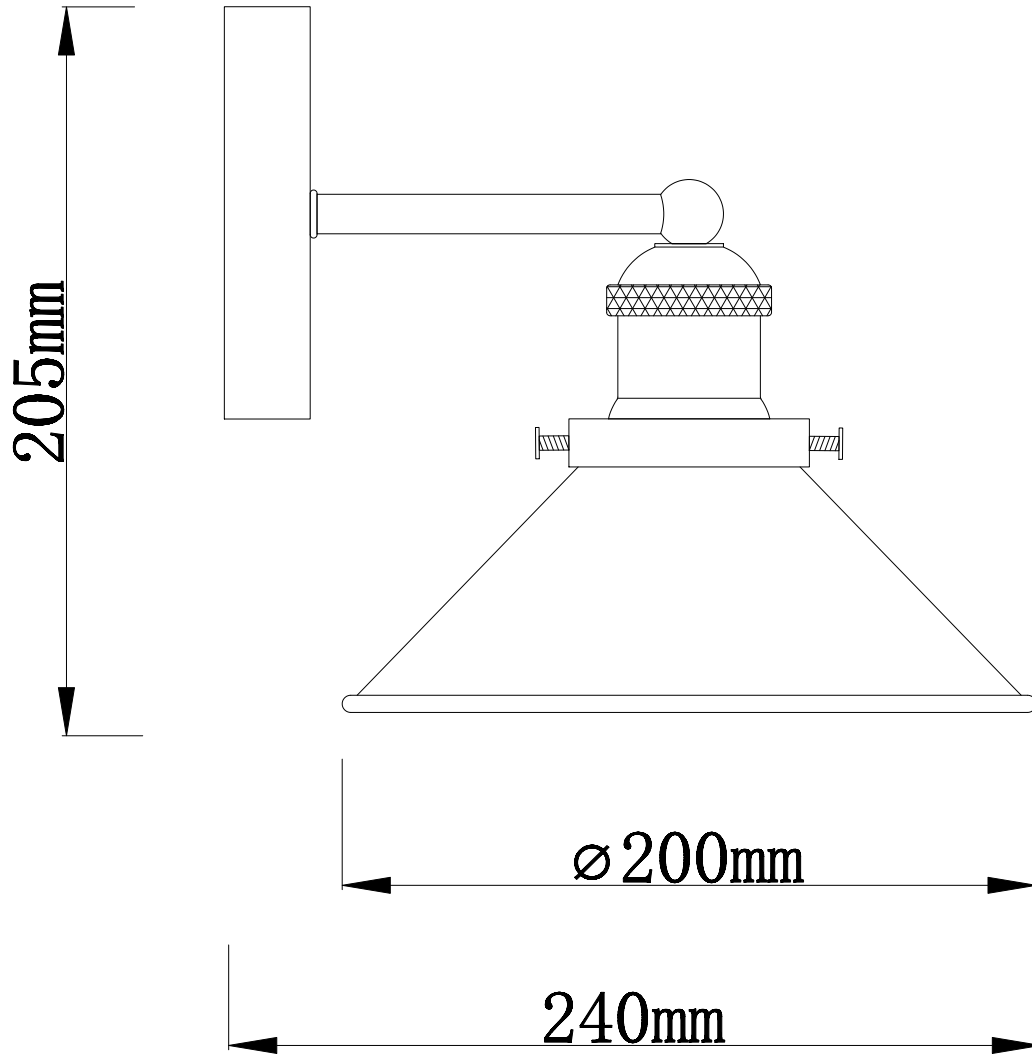
## CONTACT

[www.firstchoicelighting.co.uk](http://www.firstchoicelighting.co.uk)

[info@firstchoicelighting.co.uk](mailto:info@firstchoicelighting.co.uk)

# FCL-16452X2

Set of 2 Maxwell - Mirage Blue Brushed Copper Wall Lights



## CERTIFICATION



## CONTACT

[www.firstchoicelighting.co.uk](http://www.firstchoicelighting.co.uk)

[info@firstchoicelighting.co.uk](mailto:info@firstchoicelighting.co.uk)

ISSUE DATE 16/02/2023

PAGE 2