

Konstsmide - Castor - 533-320 - Galvanized Zinc Outdoor Half Lantern Wall Light



REFERENCE

- SKU: FCL-17591
- Supplier SKU: 533-320
- Barcode: 7318305333208

CATEGORY

- Brand: Konstsmide
- Family: Castor
- Category: Outdoor Lighting / Wall / Half Lantern

APPEARANCE

- Base: Galvanized Zinc

DIMENSION

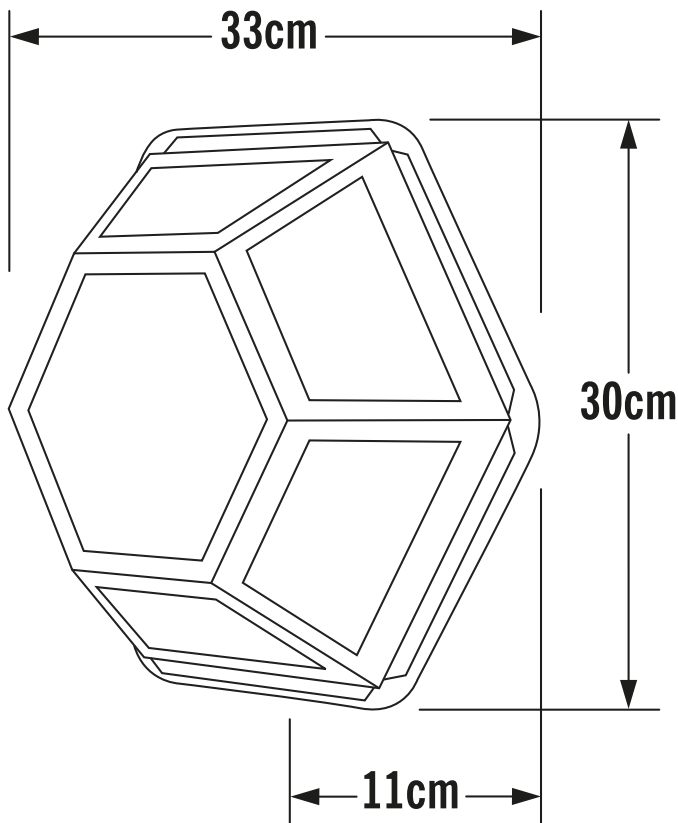
- Height: 300mm
- Width: 330mm
- Depth: 110mm
- Weight: 1.25kg

LIGHT SOURCE

- Lamp included: No
- Lamp detail: 60W Max E27 ES (required)
- Dimmable
- Energy class: Not applicable
- Switch: No

SPECIFICATION

- Ingress protection: IP23
- Class: Class I - Single Insulated, Earthed
- Voltage: 230V



CONTACT

