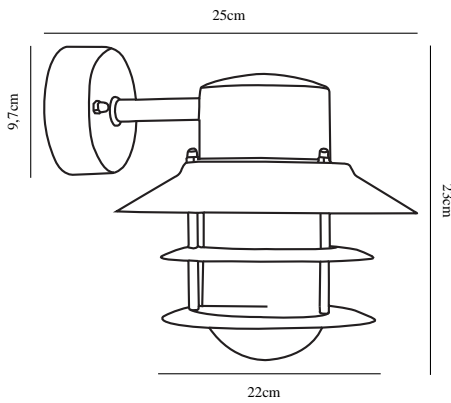


# BLOKHUS DOWN | WALL LIGHT | GALVANIZED

25051031

nordlux®



Voltage (V): 230 Volt  
IP degree: IP54  
Maximum bulb wattage (W): 60W  
Class (Class 1, Class 2, Class 3):  
Class 1 (Earth contact)  
Bulb base: E27  
Parallel connection: True

Height (cm): 23  
Shade Diameter (cm): 22  
Projection (cm): 25  
EAN: 5701581122048  
TUN: 5061467  
Item Number: 25051031  
Pcs Per Master Carton: 3

Sales Box Height (cm): 23  
Sales Box Width(cm): 22  
Sales Box Depth (cm): 23  
Sales Box Volume m<sup>3</sup> : 0.0116  
Product net weight (kg): 1.196

Primary material: Galvanized steel  
Secondary material: Glass  
Color of the Glass: Clear  
Suitable for Seaside: Yes  
Color: Galvanized

- Build-in parallel connection
- Durable material that is well-suited for harsh weather
- 15 year warranty on extensive corrosion

A classic light fixture from Nordlux, suitable for mounting in the driveway, at the entrance, on the terrace, or on the patio. This model is designed with a downward facing shade.

The galvanised finish makes the light fixture resistant to the Nordic climate. We recommend light fixtures in galvanised steel for coastal areas.