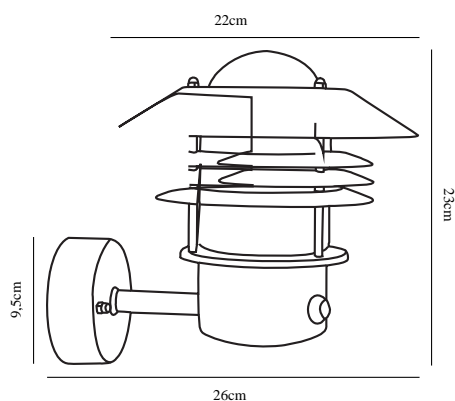


VEJERS SENSOR | WALL LIGHT | GALVANIZED

25101031

nordlux®



Voltage (V): 230 Volt
IP degree: IP54
Maximum bulb wattage (W): 60W
Class (Class 1, Class 2, Class 3):
Class 1 (Earth contact)
Bulb base: E27
Parallel connection: True

Height (cm): 23
Shade Diameter (cm): 22
Projection (cm): 26
EAN: 5701581174078
TUN: 5269474
Item Number: 25101031
Pcs Per Master Carton: 3

Sales Box Height (cm): 22
Sales Box Width(cm): 23
Sales Box Depth (cm): 23
Sales Box Volume m³ : 0.0116
Product net weight (kg): 1.567

Primary material: Galvanized steel
Secondary material: Glass
Color of the Glass: Clear
Suitable for Seaside: Yes
Color: Galvanized

- Build-in parallel connection
- Build-in daylight and motion sensor
- Durable material that is well-suited for harsh weather
- 15 year warranty on extensive corrosion

A classic light fixture from Nordlux, suitable for mounting in the driveway, at the entrance, on the terrace, or on the patio. This model is designed with an upward facing lampshade. The built-in sensor ensures that the light turns on automatically when it detects motion nearby. At the same time, it ensures that the light is not turned on unnecessarily.

The galvanised finish makes the light fixture resistant to the Nordic climate. We recommend light fixtures in galvanised steel for coastal areas.