

Hinkley Lighting - Beacon Hill - HK-BEACON-HILL-M-MB - Black Clear Seeded Glass 2 Light IP44 Outdoor Half Lantern Wall



REFERENCE

- SKU: FCL-26069
- Supplier SKU: HK-BEACON-HILL-M-MB
- Barcode: 5024005012139

DESCRIPTION

Taking inspiration from an English lantern, Beacon Hill achieves a timeless aesthetic. Part of the Heritage collection, this traditional style features a striking Museum Black aluminum frame. The heavily seeded glass pays homage to its Old World charm.

CATEGORY

- Brand: Hinkley Lighting
- Family: Beacon Hill
- Category: Outdoor Lighting / Wall / Half Lantern

APPEARANCE

- Base: Museum Black Paint
- Shade: Clear Seeded Glass

DIMENSION

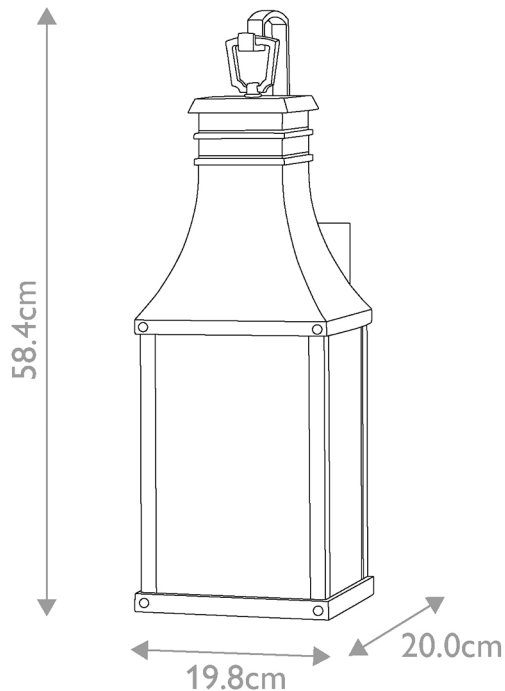
- Height: 584mm
- Width: 198mm
- Depth: 200mm
- Weight: 4.5kg

LIGHT SOURCE

- Lamp included: No
- Lamp detail: 2 x 40W Max E14 SES (required)
- Dimmable
- Energy class: Not applicable
- Switch: No

SPECIFICATION

- Ingress protection: IP44
- Class: Class I - Single Insulated, Earthed
- Voltage: 240V



CONTACT