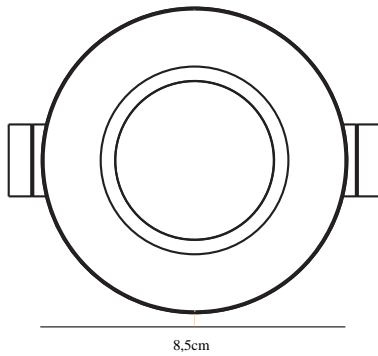


# TIAKI | DOWNLIGHT | WHITE

49570101

nordlux®



Voltage (V): 230 Volt  
IP degree: IP65  
Class (Class 1, Class 2, Class 3):  
Class 2 (Double isolated)  
Bulb base: LED Module  
Parallel connection: True

Primary material: Plastic  
Secondary material: Metal  
Color: White

Height (cm): 4.5  
Built In Spot Diameter (cm): 8.5  
Mount directly into insulation:  
False

EAN: 5701581474789  
TUN: 2049774  
Item Number: 49570101  
Pcs Per Master Carton: 3

Sales Box Height (cm): 13  
Sales Box Width (cm): 13  
Sales Box Depth (cm): 6.5  
Sales Box Volume m<sup>3</sup>: 0.0011  
Product net weight (kg): 0.15

Brightness of light (Lumen): 345  
Color Temperature (K):  
2700/4000  
Ra-value : 80  
Lifetime (h): 20000  
Beam Angle (°) : 100  
Candela (cd) (for directional  
lamp only): 150  
Energy Class: F  
Actual Watt (W): 0

- 2-step Moodmaker™ dimming (2700/4000 kelvin) by your regular wall switch
- Suitable for humid areas (IP65)
- Parallel connection possible
- Connector block included
- 5 year LED guarantee

TIAKI is a round downlight with integrated LED, allowing for parallel connection. TIAKI has Moodmaker functionality, which makes it possible to dim the light in two steps without the use of a dimmer, simply using a standard electrical outlet, while the downlight automatically remembers the last light setting as well. TIAKI allows you to switch between 600lm at 4000K and 345 lm at 2700K. The downlight even meets protection class IP65, which makes it usable in humid environments.

**ENERG**

**Nordlux**  
49570101

A  
B  
C  
D  
E  
F  
G

**65**  
kWh/1000h

2019/2015