

50681

## ShieldPLUS Tilt Downlight

### FEATURES

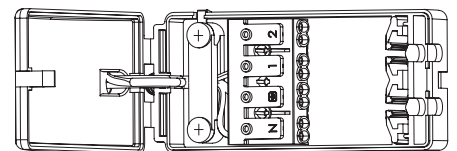
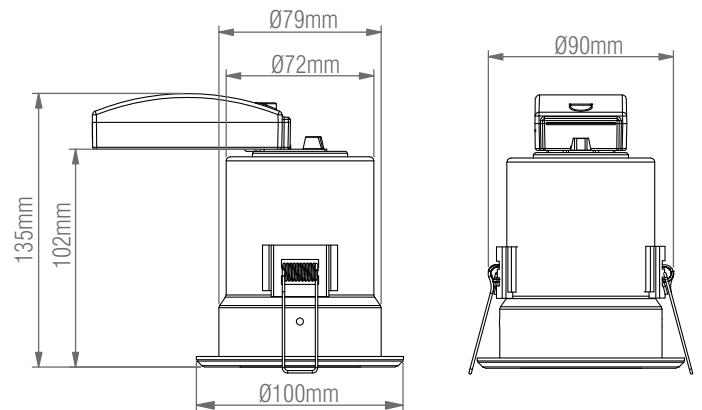
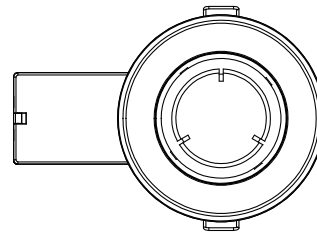
- 2 years warranty
- Satin nickel plate finish
- Constructed from die cast aluminium alloy & steel
- Fire rated 30/60/90 minutes and acoustically rated
- 30° tilt

### SPEC DATA

Product Wattage:	Max. 50W GU10 (required)
Dimmable:	Y
Product Voltage:	220-240V
Hertz:	50/60
IP Rating:	20
Product Weight (KG):	0.29
Cut hole Dia:	83mm
Minimum Cavity Depth:	135mm
Terminal Block:	4-way fast fix
Class:	1

### ACCESSORIES

70257, GU10 LED 60°, 3000K  
70258, GU10 LED 60°, 4000K  
74045, GU10 LED 60°, 6000K  
70259, GU10 LED dimmable 60°, 3000K  
70260, GU10 LED dimmable 60°, 4000K  
74048, GU10 LED dimmable 60°, 6000K



Quick fit