

Elstead - Hinkley Lighting - Dakota HK-DAKOTA6 Chandelier



REFERENCE

- SKU: FCL-54789
- Supplier SKU: HK-DAKOTA6
- Barcode: 5024005267911

DESCRIPTION

The Dakota collection rounds up the best in Western style with a transitional chic design. Cast metal faux leather straps and buckle combine with clear seedy hurricane shades perched on cast cups for luxe lodge charm.

CATEGORY

- Brand: Hinkley Lighting
- Family: Dakota
- Category: Indoor Lighting / Ceiling / Pendant

APPEARANCE

- Base: Polished Antique Nickel Plate
- Shade: Clear Bubbled Glass

DIMENSION

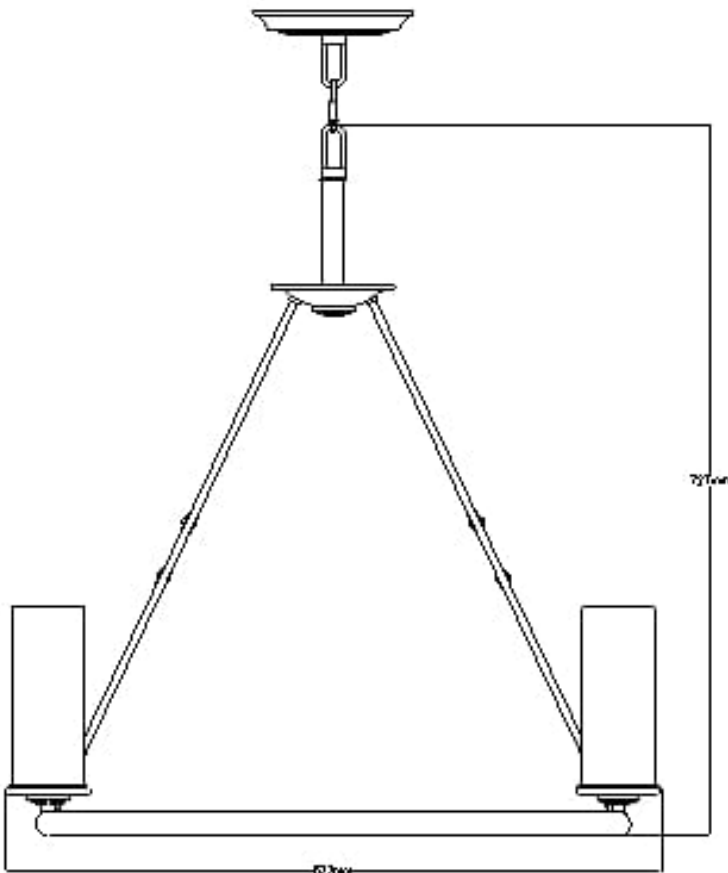
- Height: 1027 - 2557mm
- Diameter: 660mm
- Weight: 6.93kg

LIGHT SOURCE

- Lamp included: No
- Lamp detail: 6 x 60W Max E14 SES (required)
- Dimmable
- Energy class: Not applicable
- Switch: No

SPECIFICATION

- Ingress protection: IP20
- Class: Class I - Single Insulated, Earthed
- Voltage: 240V



CONTACT

