



LIGHT SOURCE DATA

- 6 x 50W Max GU10 Halogen (required)
- Lamp direction - Downwards
- Lamp shape - Reflector/Pear Shape
- Dimmable
- Energy range: A++, A+, A, B, C, D

DIMENSION DATA

- Height 108mm
- Diameter 150mm

- Weight .61kg

SPECIFICATION

- Manufacturer warranty for 2 years from date of purchase
- Polished chrome plate
- IP44
- Class I - Single Insulated, Earthed
- 240V
- Assembly required? No
- CE Marking, Energy Efficient, Energy Saving

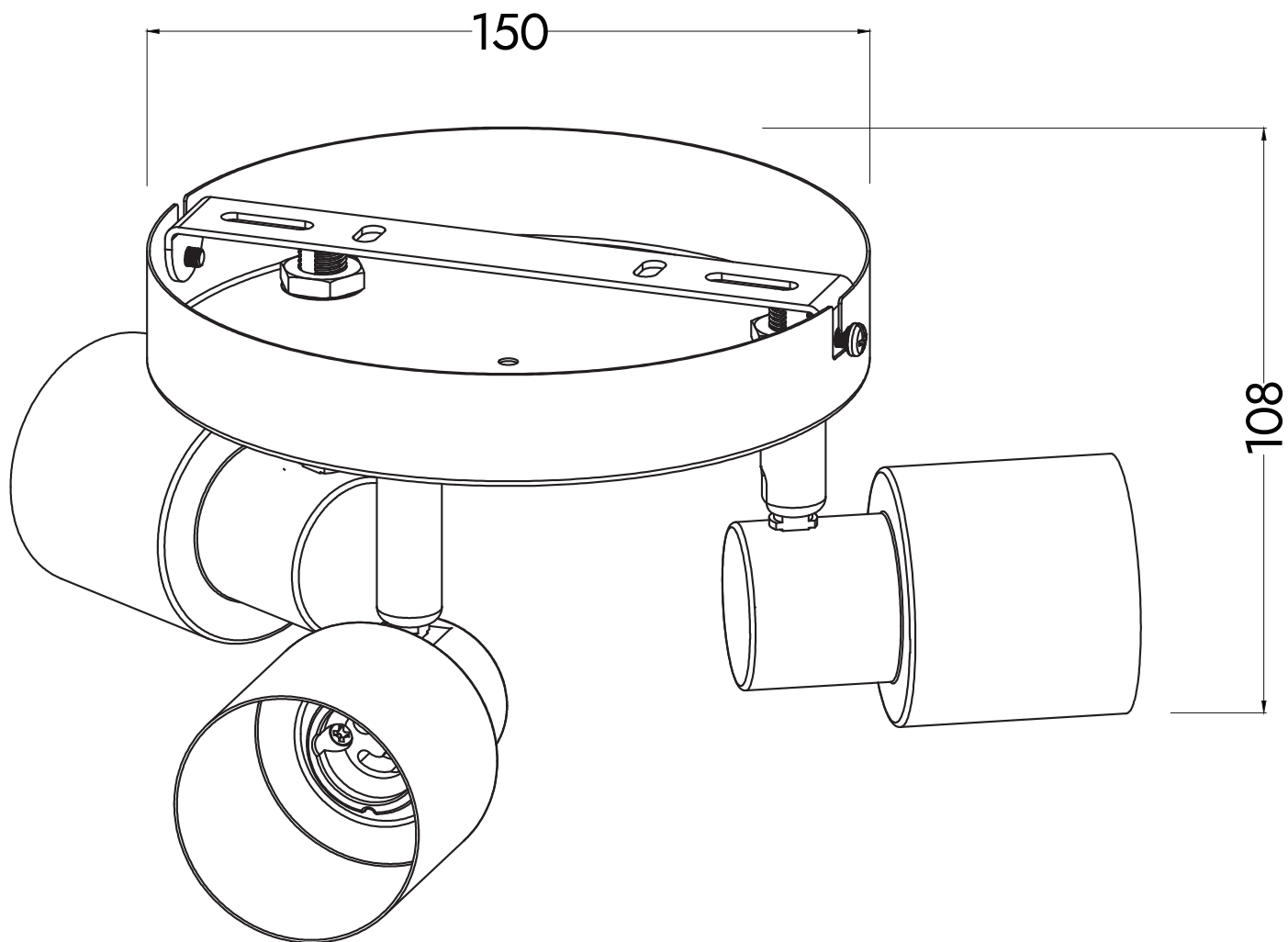
CERTIFICATION



CONTACT

www.firstchoicelighting.co.uk

info@firstchoicelighting.co.uk



CERTIFICATION



CONTACT

www.firstchoicelighting.co.uk

info@firstchoicelighting.co.uk