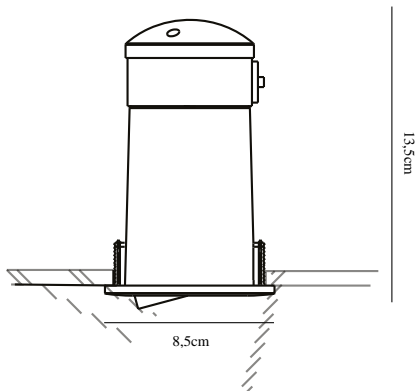


MIXIT | DOWNLIGHT | BRUSHED STEEL

71820132

nordlux®



Voltage (V): 230 Volt
IP degree: IP23
Maximum bulb wattage (W): 8W
LED
Class (Class 1, Class 2, Class 3):
Class 2 (Double isolated)
Bulb base: GU10
Parallel connection: True

Primary material: Plastic
Secondary material: Metal
Suitable for Seaside: No
Color: Brushed steel

Height (cm): 13.5
Built In Spot Diameter (cm): 8.5
Mount directly into insulation: True
Tilt Angle (°): 35

EAN: 5701581264779
TUN: 1392850
Item Number: 71820132
Pcs Per Master Carton: 3

Sales Box Height (cm): 14
Sales Box Width(cm): 9
Sales Box Depth (cm): 9
Sales Box Volume m³: 0.0011
Product net weight (kg): 0.232

- Can be mounted directly into insulation • Parallel connection possible • Connector block included
- Suitable for in- and outdoor use (IP23) • White and brushed steel deco ring included

Single built-in spotlight with an adjustable and interchangeable outer ring in brushed steel/white. Suitable for both indoor and outdoor use, e.g. for installation in soffits and for mounting directly in the insulation. Includes installation box, light bulb not included.