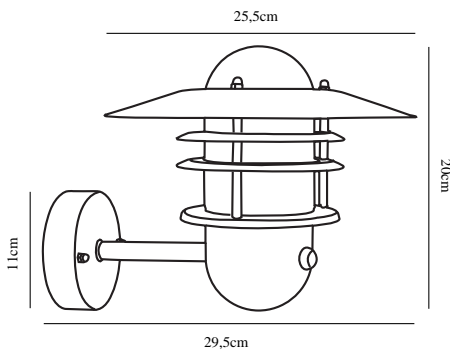
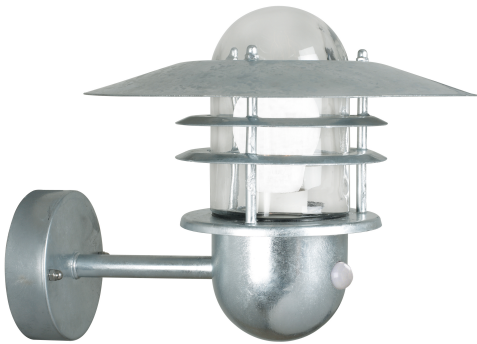


# AGGER SENSOR | WALL LIGHT | GALVANIZED

74501031

nordlux®



Voltage (V): 230 Volt  
IP degree: IP54  
Maximum bulb wattage (W): 60W  
Class (Class 1, Class 2, Class 3):  
Class 2 (Double isolated)  
Bulb base: E27  
Parallel connection: True

Height (cm): 20  
Shade Diameter (cm): 25.5  
Projection (cm): 29.5  
EAN: 5701581210974  
TUN: 5353051  
Item Number: 74501031  
Pcs Per Master Carton: 3

Sales Box Height (cm): 26  
Sales Box Width(cm): 26  
Sales Box Depth (cm): 22.5  
Sales Box Volume m<sup>3</sup> : 0.0152  
Product net weight (kg): 1.668

Primary material: Galvanized steel  
Secondary material: Glass  
Color of the Glass: Clear  
Suitable for Seaside: Yes  
Color: Galvanized

- Build-in parallel connection
- Build-in daylight and motion sensor
- Durable material that is well-suited for harsh weather
- 15 year warranty on extensive corrosion

The Agger wall light with motion sensor – a traditional outdoor light in galvanised steel. Suitable for energy-saving bulbs or LED bulbs.

The galvanised finish makes the light fixture resistant to the Nordic climate. We recommend light fixtures in galvanised steel for coastal areas.