

Pair of Glass & Antique Brass Ceiling Pendants



## 2 x Antique Brass and Glass Ceiling Pendants

### LIGHT SOURCE DATA

- 2 x 60W Max E14 SES (required)
- Lamp direction - Indirect
- Lamp shape - Conical/Candelabra/Candle
- Dimmable
- Energy class: Not applicable

### DIMENSION DATA

- Height 300 - 1300mm
- Diameter 210mm
  
- Weight 3.08kg

### SPECIFICATION

- Manufacturer warranty for 2 years from date of purchase
- Antique brass plate and clear glass
- IP20
- No
- Class I - Single Insulated, Earthed
- 240V
- Assembly required? No
- CE Marking, UKCA Marking, Energy Efficient, Energy Saving

### CERTIFICATION



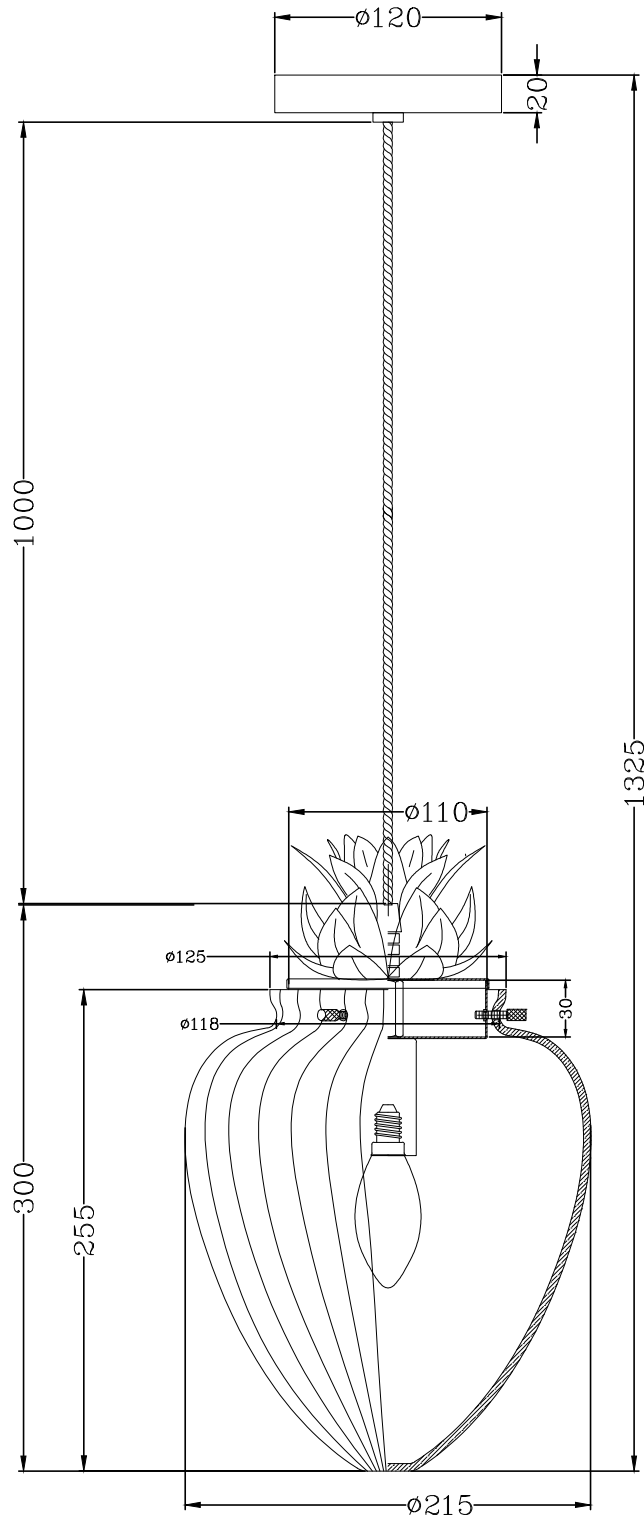
### CONTACT

[www.firstchoicelighting.co.uk](http://www.firstchoicelighting.co.uk)

[info@firstchoicelighting.co.uk](mailto:info@firstchoicelighting.co.uk)

# FCL-80263X2

Pair of Glass & Antique Brass Ceiling Pendants



## CERTIFICATION



## CONTACT

[www.firstchoicelighting.co.uk](http://www.firstchoicelighting.co.uk)

[info@firstchoicelighting.co.uk](mailto:info@firstchoicelighting.co.uk)

ISSUE DATE 16/02/2023

PAGE 2