

**LIGHT SOURCE DATA**

- 2 x 40W Max E14 SES (required)
- Lamp direction - Indirect
- Lamp shape - Standard
- Dimmer included

DIMENSION DATA

- Height 430mm
- Diameter 230mm

- Weight 1.64kg

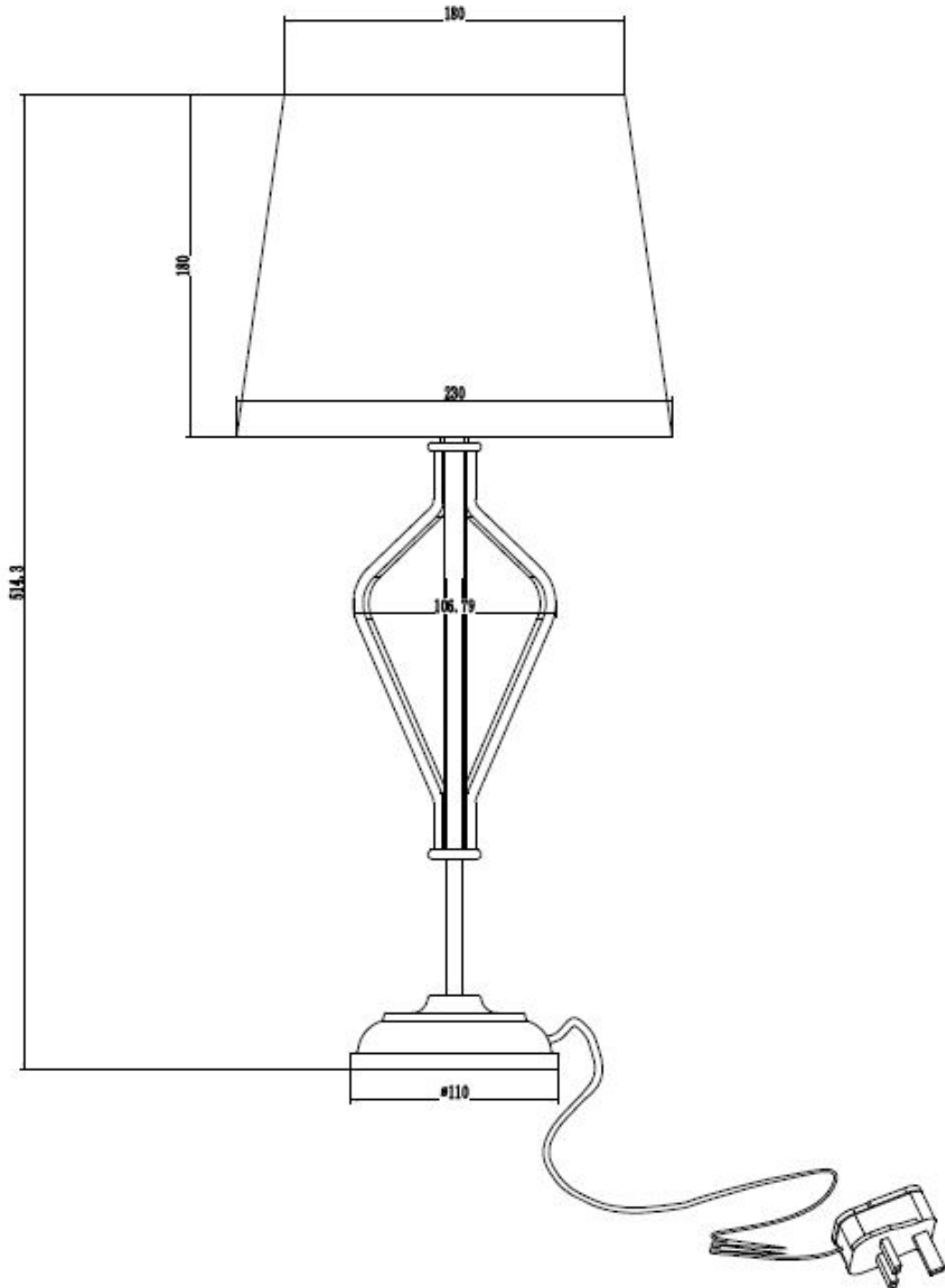
SPECIFICATION

- Manufacturer warranty for 2 years from date of purchase
- Satin nickel plate and ivory cotton
- IP20
- Touch 3 Stage Dimmer Switch
- Class II - Double Insulated, No Earth
- 240V
- Assembly required? No
- Touch 3 stage dimmer switch
- CE Marking, UKCA Marking, Energy Efficient, Energy Saving

CERTIFICATION**CONTACT**

www.firstchoicelighting.co.uk

info@firstchoicelighting.co.uk



CERTIFICATION



CONTACT

www.firstchoicelighting.co.uk

info@firstchoicelighting.co.uk