

Pair of Black Matt 3 Light Ceiling Chandeliers



LIGHT SOURCE DATA

- 6 x 25W Max E14 SES (required)
- Lamp direction - Indirect
- Lamp shape - Conical/Candelabra/Candle
- Dimmable
- Energy class: Not applicable

DIMENSION DATA

- Height 400mm
- Diameter 380mm

- Weight 1.72kg

SPECIFICATION

- Manufacturer warranty for 2 years from date of purchase
- Matt black paint
- IP20
- No
- Class I - Single Insulated, Earthed
- 240V
- Assembly required? No
- CE Marking, UKCA Marking, Energy Efficient, Energy Saving

CERTIFICATION



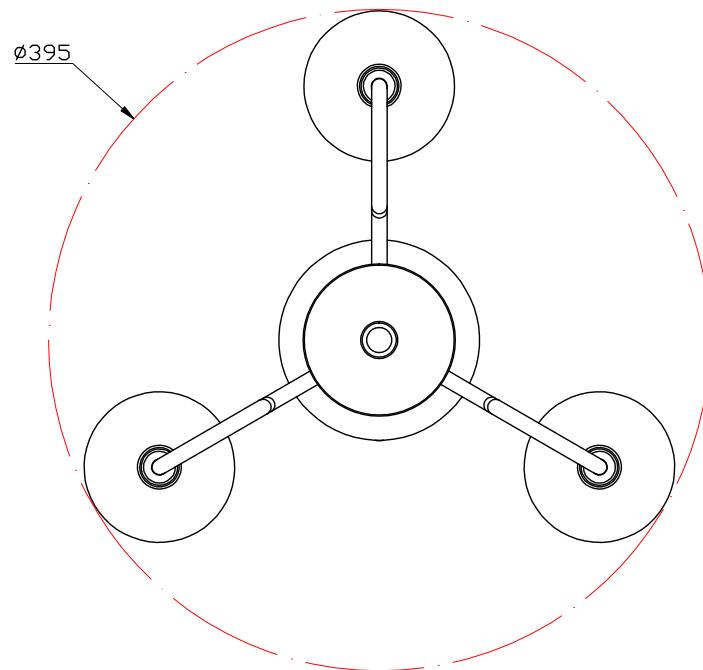
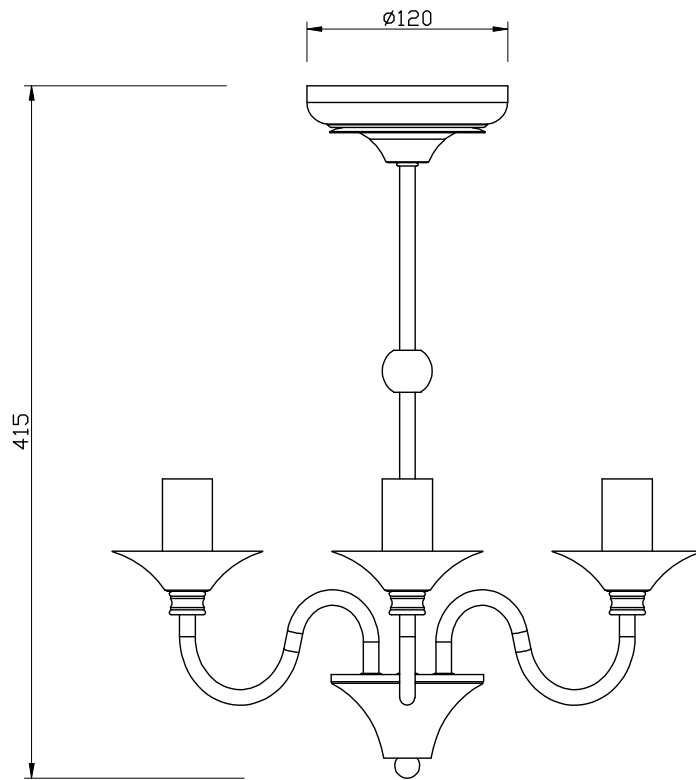
CONTACT

www.firstchoicelighting.co.uk

info@firstchoicelighting.co.uk

FCL-80578X2

Pair of Black Matt 3 Light Ceiling Chandeliers



CERTIFICATION



CONTACT

www.firstchoicelighting.co.uk

info@firstchoicelighting.co.uk

ISSUE DATE 16/02/2023

PAGE 2