



## LIGHT SOURCE DATA

- 3 x 25W Max E14 SES (required)
- Lamp direction - Indirect
- Lamp shape - Conical/Candelabra/Candle
- Dimmable
- Energy class: Not applicable

## DIMENSION DATA

- Height 400mm
- Diameter 380mm
- Weight 0.86kg

## SPECIFICATION

- Manufacturer warranty for 2 years from date of purchase
- Matt black paint
- IP20
- No
- Class I - Single Insulated, Earthed
- 240V
- Assembly required? No
- CE Marking, UKCA Marking, Energy Efficient, Energy Saving

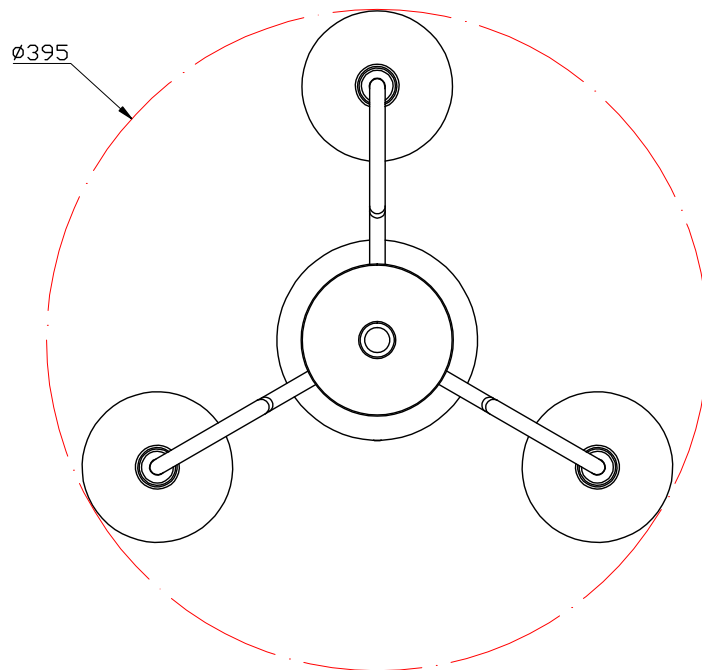
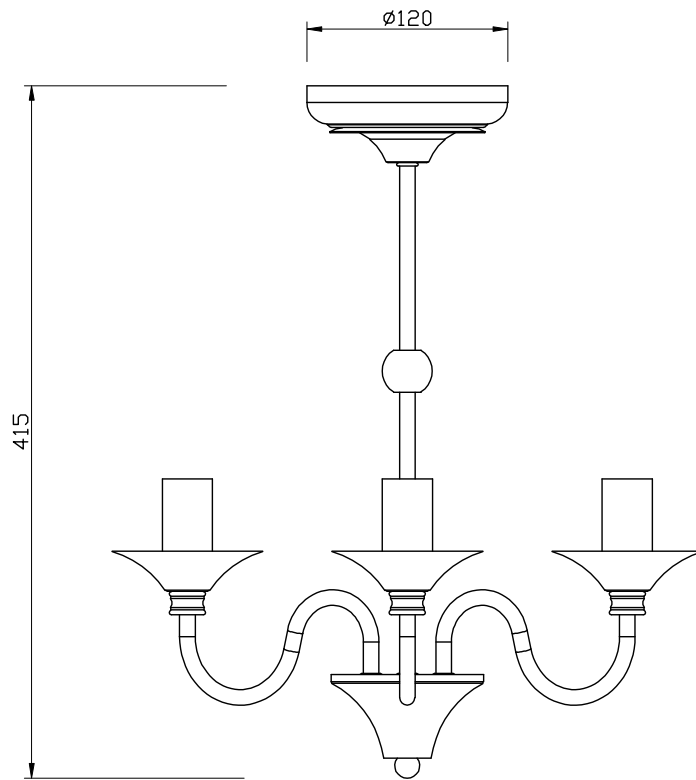
## CERTIFICATION



## CONTACT

[www.firstchoicelighting.co.uk](http://www.firstchoicelighting.co.uk)

[info@firstchoicelighting.co.uk](mailto:info@firstchoicelighting.co.uk)



## CERTIFICATION



## CONTACT

[www.firstchoicelighting.co.uk](http://www.firstchoicelighting.co.uk)

[info@firstchoicelighting.co.uk](mailto:info@firstchoicelighting.co.uk)