

20cm Lamp Shade Ceiling Light Digital Printed Fabric New York Skyline At Night



## LIGHT SOURCE DATA

- 60W Max B22 BC or E27 ES (required)
- Lamp direction - Indirect
- Lamp shape - Standard
- Dimmable
- Energy class: Not applicable

## DIMENSION DATA

- Height 185mm
- Diameter 200mm
- Weight 0.29kg

## SPECIFICATION

- Manufacturer warranty for 2 years from date of purchase
- Blue manhattan skyline digital print
- IP20
- No
- 240V
- Assembly required? No
- CE Marking, UKCA Marking, Energy Efficient, Energy Saving

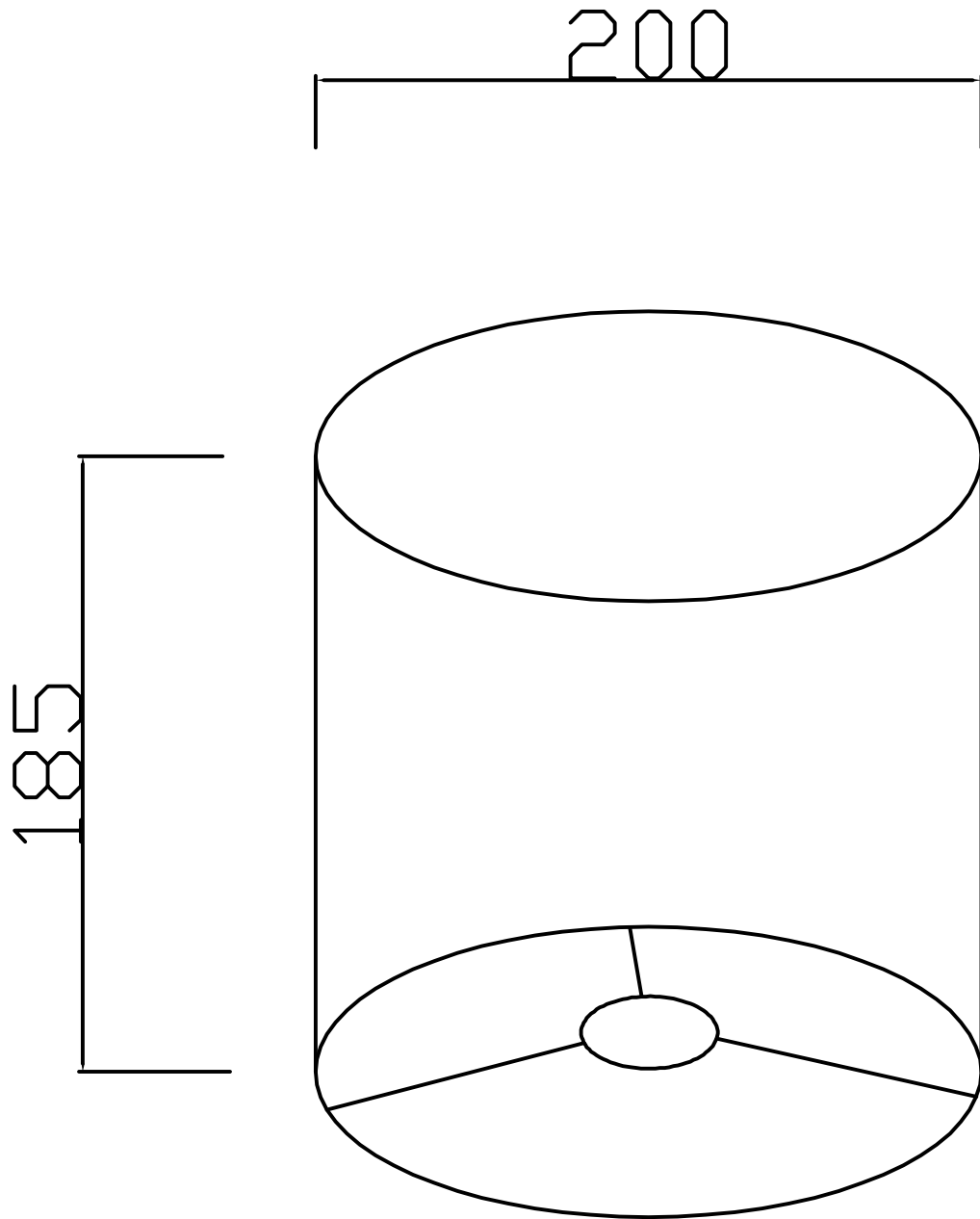
## CERTIFICATION



## CONTACT

[www.firstchoicelighting.co.uk](http://www.firstchoicelighting.co.uk)

[info@firstchoicelighting.co.uk](mailto:info@firstchoicelighting.co.uk)



## CERTIFICATION



## CONTACT

[www.firstchoicelighting.co.uk](http://www.firstchoicelighting.co.uk)

[info@firstchoicelighting.co.uk](mailto:info@firstchoicelighting.co.uk)