

81023

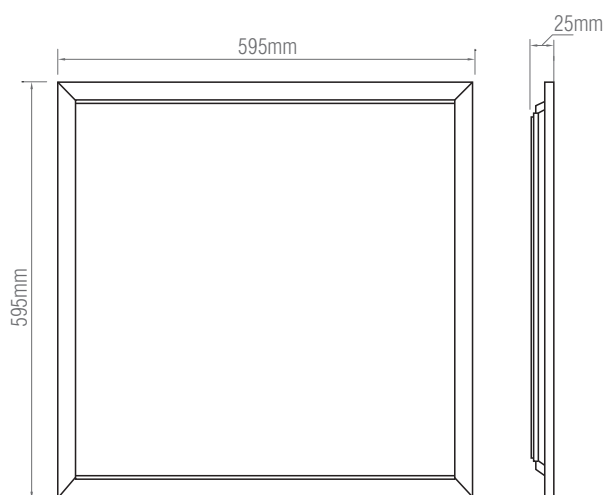
Stratus 3000K

FEATURES

- 5 years (2 years + 3 years) extended warranty
- White & opal plastic finish
- Constructed from aluminium alloy & steel & polystyrene
- IP40

SPEC DATA

Product Wattage:	40W
Product Lumen:	3600
Lumen/W:	90
Kelvin:	3000K
SDCM:	<5
CRI:	>80
Dimmable:	N
Lifetime (Hours):	50000
Beam Angle:	110°
Power Factor:	0.9
Driver Type:	Constant Current 1000mA
Inrush Current at Start Up:	≤ 27A
Energy Rating:	E
Product Voltage:	220-240V
Operational Voltage:	33-40V DC
Hertz:	50/60
Surge Protection (KV):	1.5
Operating Temp.:	-20 to 40 Degree
IK Rating:	03
Product Weight (KG):	1.5
Class:	3



ACCESSORIES

- 81007, LED driver constant current dimmable 40W 950mA
- 81744, Stratus suspension kit
- 81850, Stratus surface mount kit
- 91237, Recess clip
- 92514, Emergency LED conversion kit
- 92544, LED driver constant current 25/30/35/40W selectable
- 98449, LED driver constant current dimmable 40/50W
- 101339, EM conversation ST