



LIGHT SOURCE DATA

- 2 x 60W Max B22 BC (required)
- Lamp direction - Indirect
- Lamp shape - Standard
- Non-dimmable
- Energy range: A++, A+, A, B, C, D, E

DIMENSION DATA

- Height 1540mm
- Diameter 420mm

- Weight 2.31kg

SPECIFICATION

- Manufacturer warranty for 2 years from date of purchase
- Polished copper plate and white cotton
- IP20
- Lampholder On/Off Switch
- Class II - Double Insulated, No Earth
- 240V
- Assembly required? Yes
- UKCA & CE Marking, Energy Efficient, Energy Saving

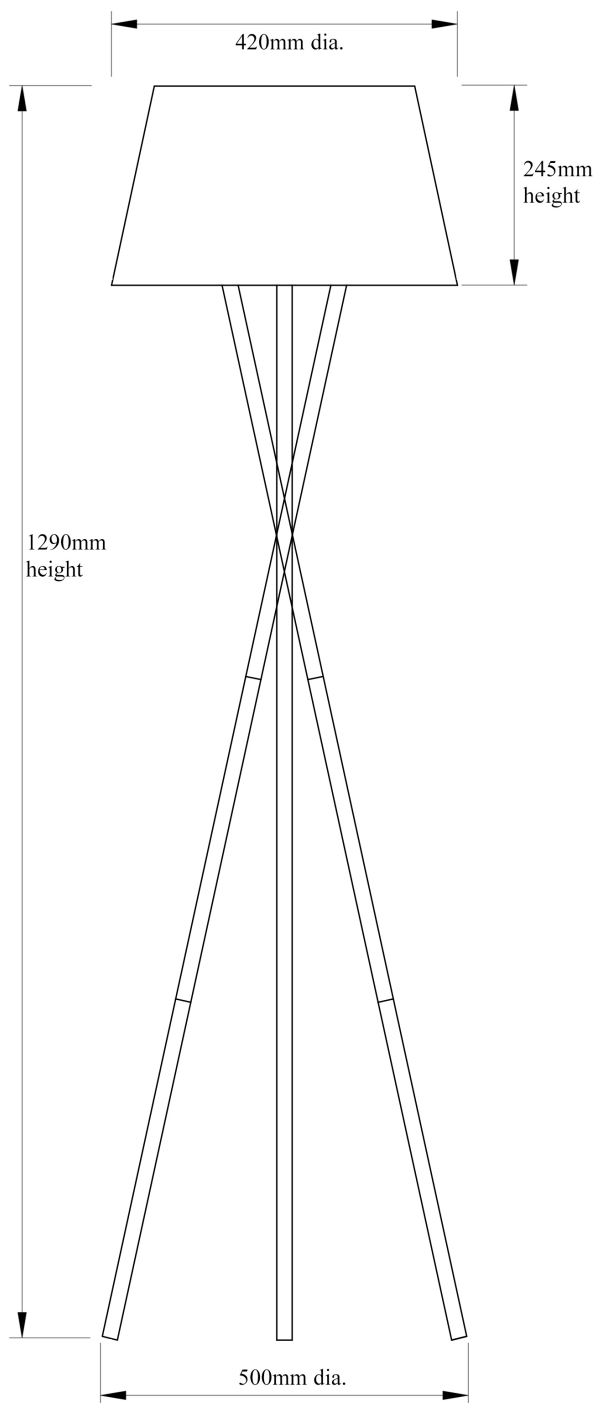
CERTIFICATION



CONTACT

www.firstchoicelighting.co.uk

info@firstchoicelighting.co.uk



CERTIFICATION



CONTACT

www.firstchoicelighting.co.uk

info@firstchoicelighting.co.uk