

Pair Chrome Twist Tripod Floor Lamp with Grey Fabric Shade



## LIGHT SOURCE DATA

- 2 x 60W Max B22 BC (required)
- Lamp direction - Indirect
- Lamp shape - Standard
- Non-dimmable
- Energy range: A++, A+, A, B, C, D, E

## DIMENSION DATA

- Height 1540mm
- Diameter 420mm
- Weight 2.31kg

## SPECIFICATION

- Manufacturer warranty for 2 years from date of purchase
- Polished chrome plate and grey cotton
- IP20
- Lampholder On/Off Switch
- Class II - Double Insulated, No Earth
- 240V
- Assembly required? Yes
- UKCA & CE Marking, Energy Efficient, Energy Saving

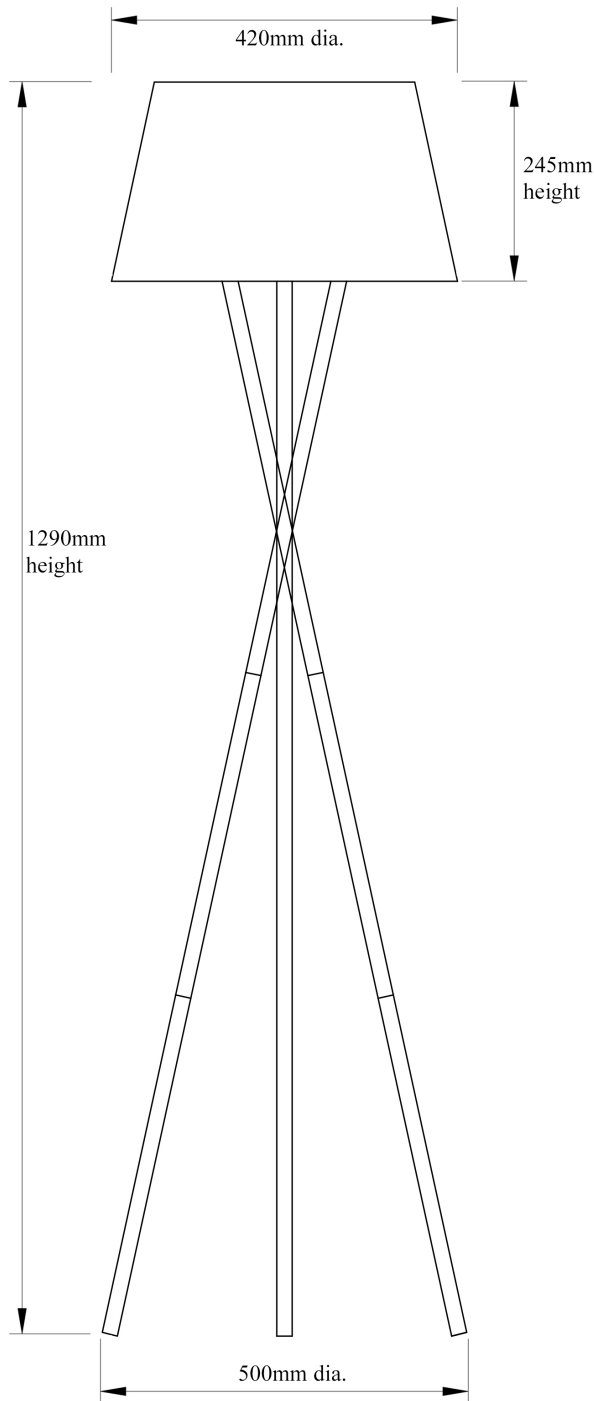
## CERTIFICATION



## CONTACT

[www.firstchoicelighting.co.uk](http://www.firstchoicelighting.co.uk)

[info@firstchoicelighting.co.uk](mailto:info@firstchoicelighting.co.uk)



## CERTIFICATION



## CONTACT

[www.firstchoicelighting.co.uk](http://www.firstchoicelighting.co.uk)

[info@firstchoicelighting.co.uk](mailto:info@firstchoicelighting.co.uk)