

Set of 2 Antique Brass Tripod Spotlight Style Table Lamp



LIGHT SOURCE DATA

- 2 x 40W Max E14 SES (required)
- Lamp direction - Downwards
- Lamp shape - Conical/Candelabra/Candle
- Non-dimmable
- Energy class: Not applicable

DIMENSION DATA

- Height 300mm
- Diameter 165mm

- Weight 1.22kg

SPECIFICATION

- Manufacturer warranty for 2 years from date of purchase
- Antique brass plate
- IP20
- In-line On/Off Switch
- Class II - Double Insulated, No Earth
- 240V
- Assembly required? No
- CE Marking, UKCA Marking, Energy Efficient, Energy Saving

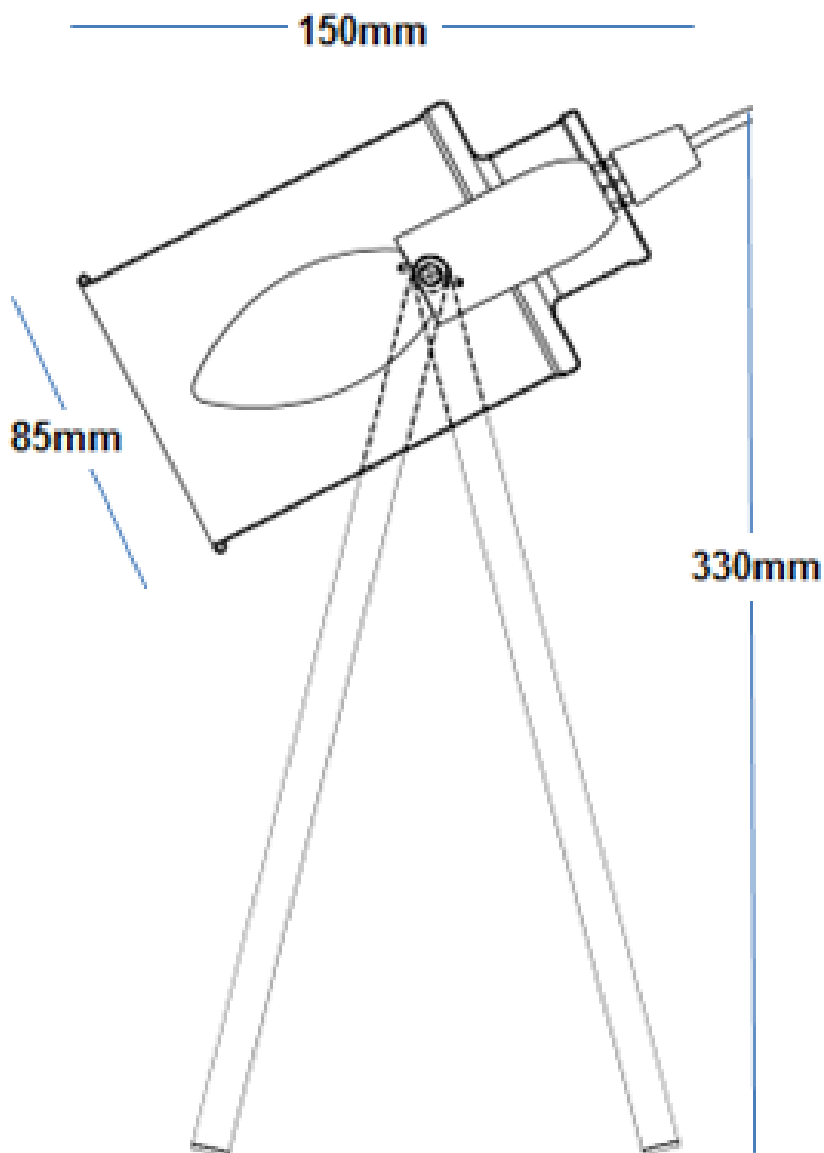
CERTIFICATION



CONTACT

www.firstchoicelighting.co.uk

info@firstchoicelighting.co.uk



CERTIFICATION



CONTACT

www.firstchoicelighting.co.uk

info@firstchoicelighting.co.uk