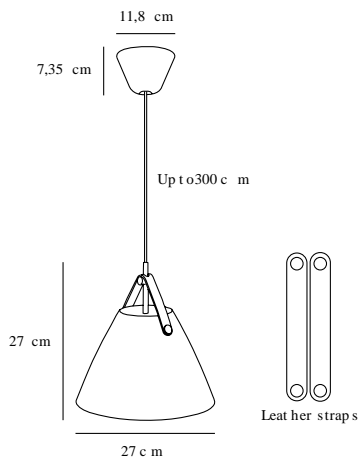


# STRAP 27 | PENDANT | WHITE

84313001



Voltage (V): 230 Volt  
IP degree: IP20  
Maximum bulb wattage (W): 40W  
Class (Class 1, Class 2, Class 3):  
Class 2 (Double isolated)  
Bulb base: E27  
Dimmerable: Yes with compatible bulb

Primary material: Glass  
Secondary material: Leather  
Color of the Glass: Opal white  
Color of the cable: White  
Length of the cable (cm): 300  
Surface material of the cable:  
Textile  
Is the cable replaceable: False

Color: White  
Height (cm): 27  
Shade Diameter (cm): 27  
Shade Height (cm): 27.2  
EAN: 5701581337688  
TUN: 1845282  
Item Number: 84313001

Pcs Per Master Carton: 3  
Sales Box Height (cm): 23  
Sales Box Width (cm): 32  
Sales Box Depth (cm): 32  
Sales Box Volume m<sup>3</sup> : 0.0236  
Product net weight (kg): 1.34

- Material mix opalized glass, leather and metal • Nordic style • Incl. black and neutral coloured leather strap
- Material mix - glass and leather • Soft and diffused light

Metal and leather goes well with the light Nordic style. The combination of these materials allows the light to visually interact with a modern interior, where combining materials is one of the biggest trends. With Strap it seems obvious – just as obvious as how a Nordic light design is named after a leather strap. The narrow and elegant leather gives Strap a warm and raw look, balancing a classic and the industrial expression. It comes with two leather straps in brown and black respectively, so it's up to you to give the Strap its final look. Designed by Bjørn + Balle