

94060

## Hoxton Ground Recessed LED

### FEATURES

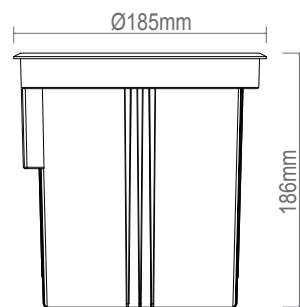
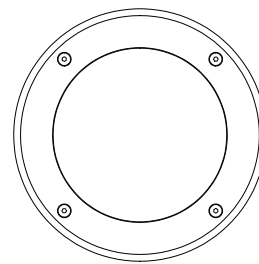
- 3 years (2 years + 1 year) extended warranty
- Construction and finish: brushed stainless steel (304) & clear glass
- Tilt light head 30°
- IP67
- IK08

### SPEC DATA

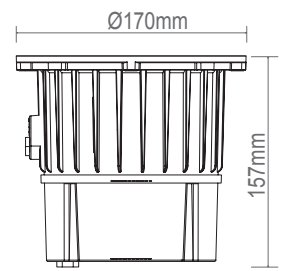
Product Wattage:	16.5W
Product Lumen:	1550
Lumen/W:	94
Kelvin:	4000K
Energy Rating:	A+
Dimmable:	No
Beam Angle:	38°
CRI:	80
Lifetime (Hours):	25000
SDCM:	6
Driver Type:	Constant Current 500mA
Product Voltage:	220-240V
Power Factor:	0.51
Surge Protection (KV):	0.5
Operating Temp.:	-20 to 40 Degree
Product Weight (KG):	2.1
Class:	1
Cut Hole Dia:	177mm
Minimum cavity depth:	185mm

### ACCESSORIES

- 90131, Inline IP68 connector straight
- 90132, Inline IP68 connector tee



supplied housing



LED body