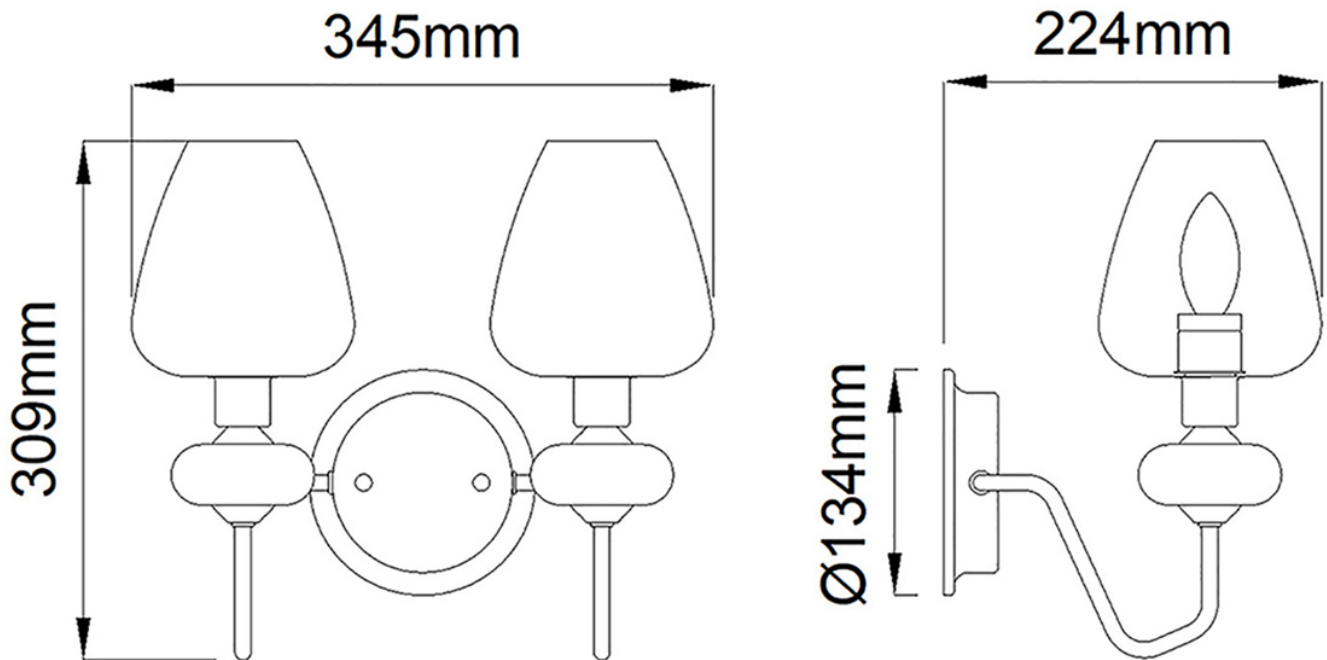


Elstead - Armand DL-ARMAND2-AB Wall Light



CONTACT