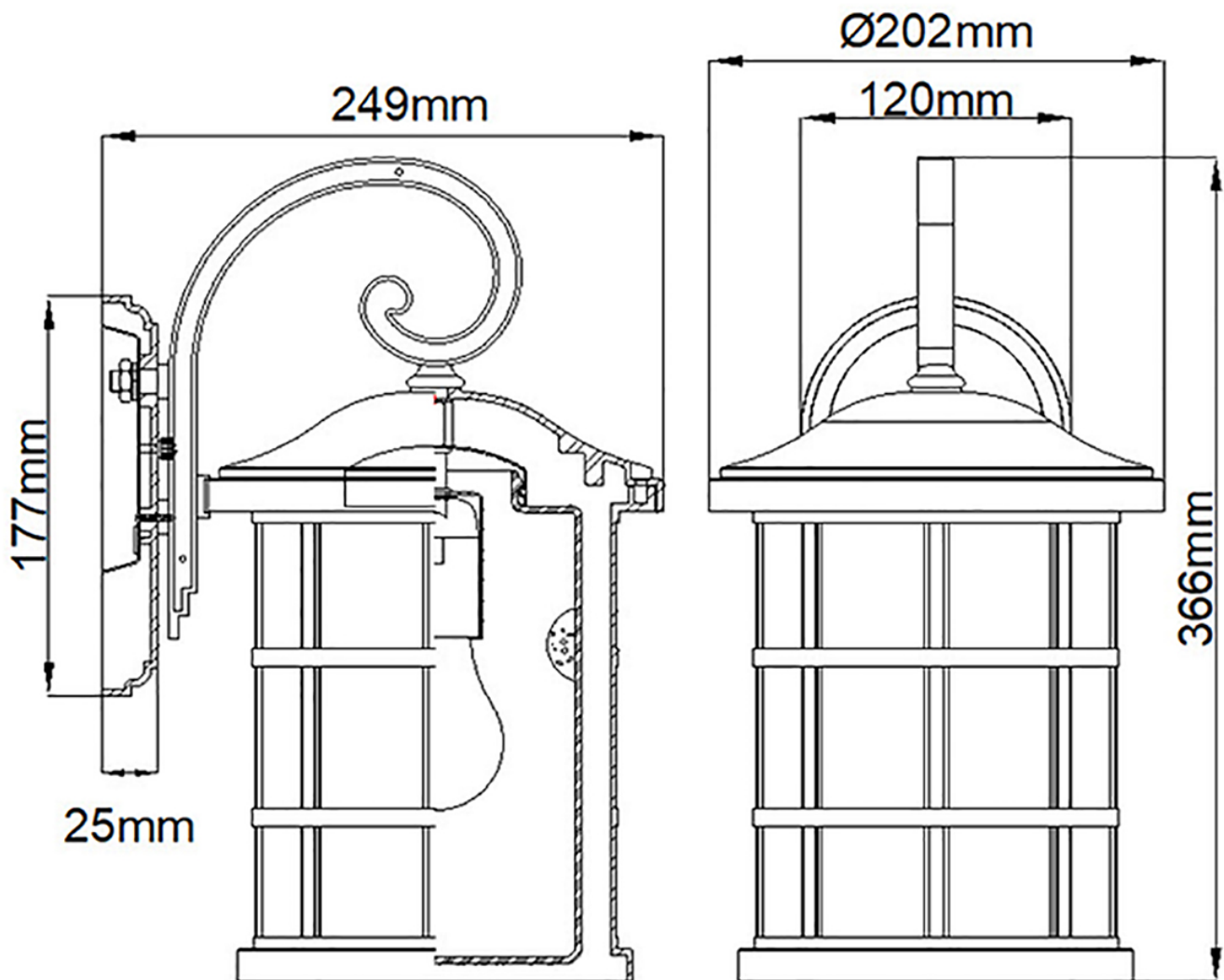


Elstead - Quoizel - Crusade QZ-CRUSADE-M-BLK Wall Lantern



CONTACT