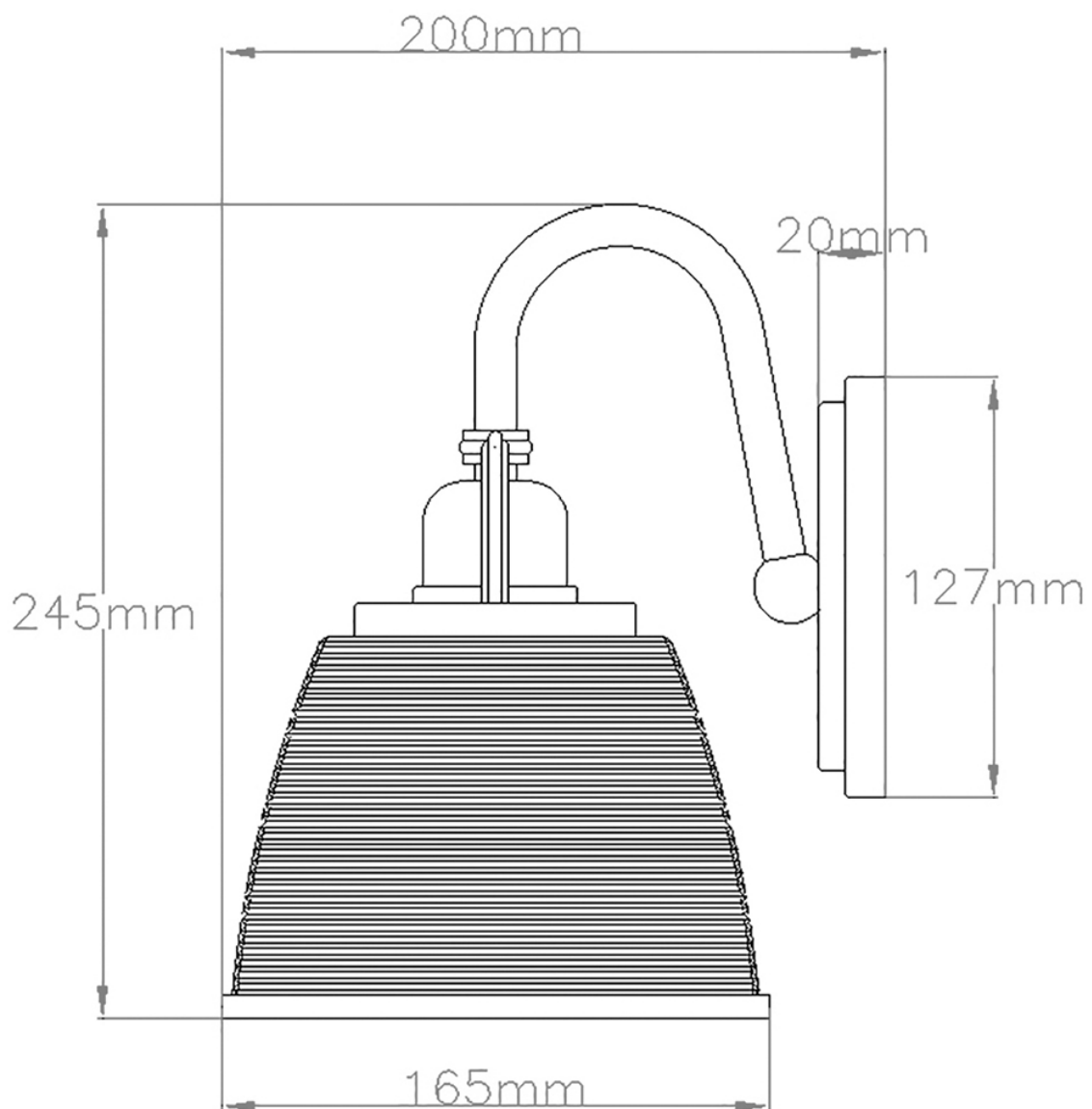


Elstead - Quoizel - Dublin QZ-DUBLIN1-PNBR Wall Light



CONTACT