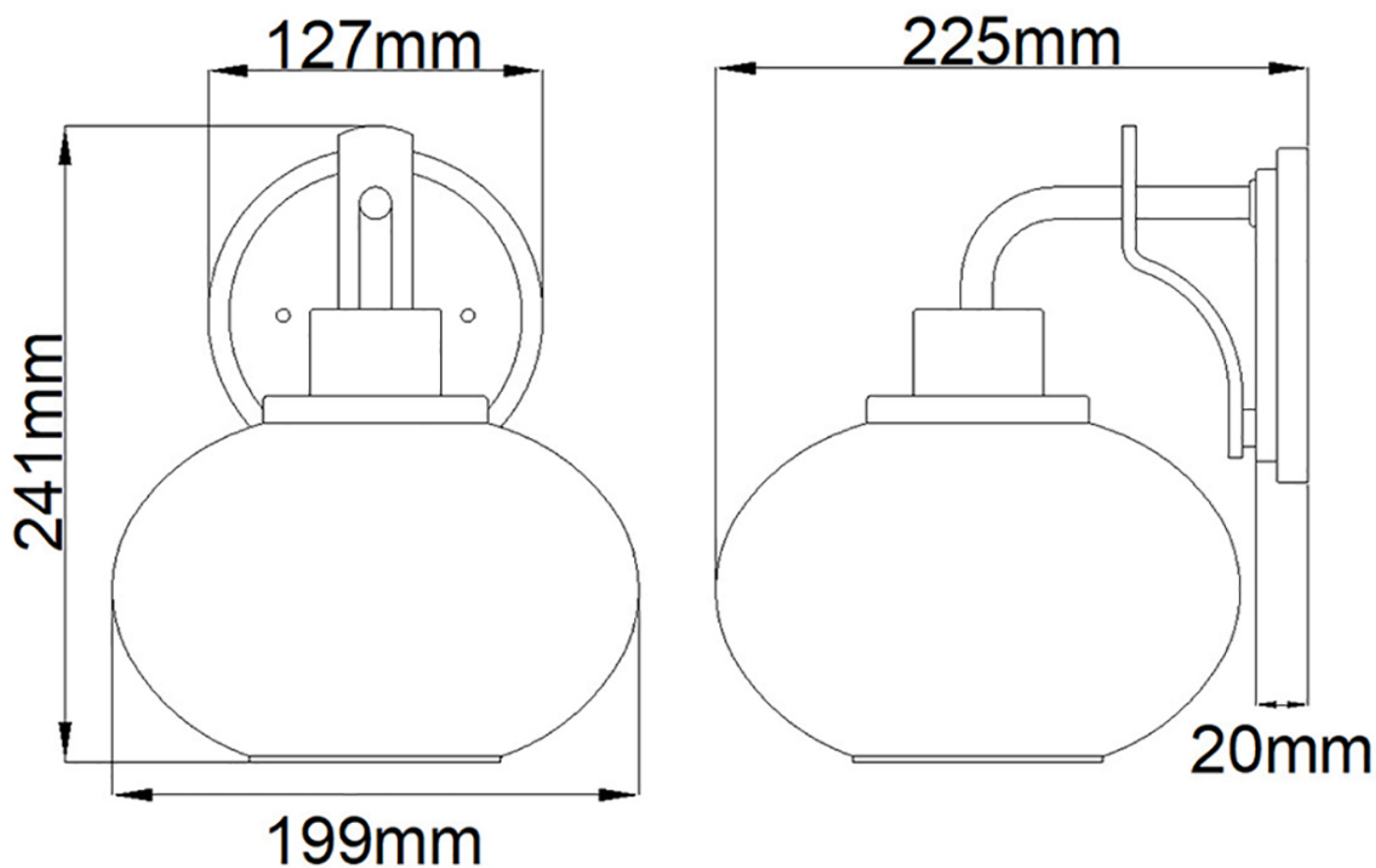


Elstead - Quoizel - Trilogy QZ-TRILOGY1-BN Wall Light



## CONTACT