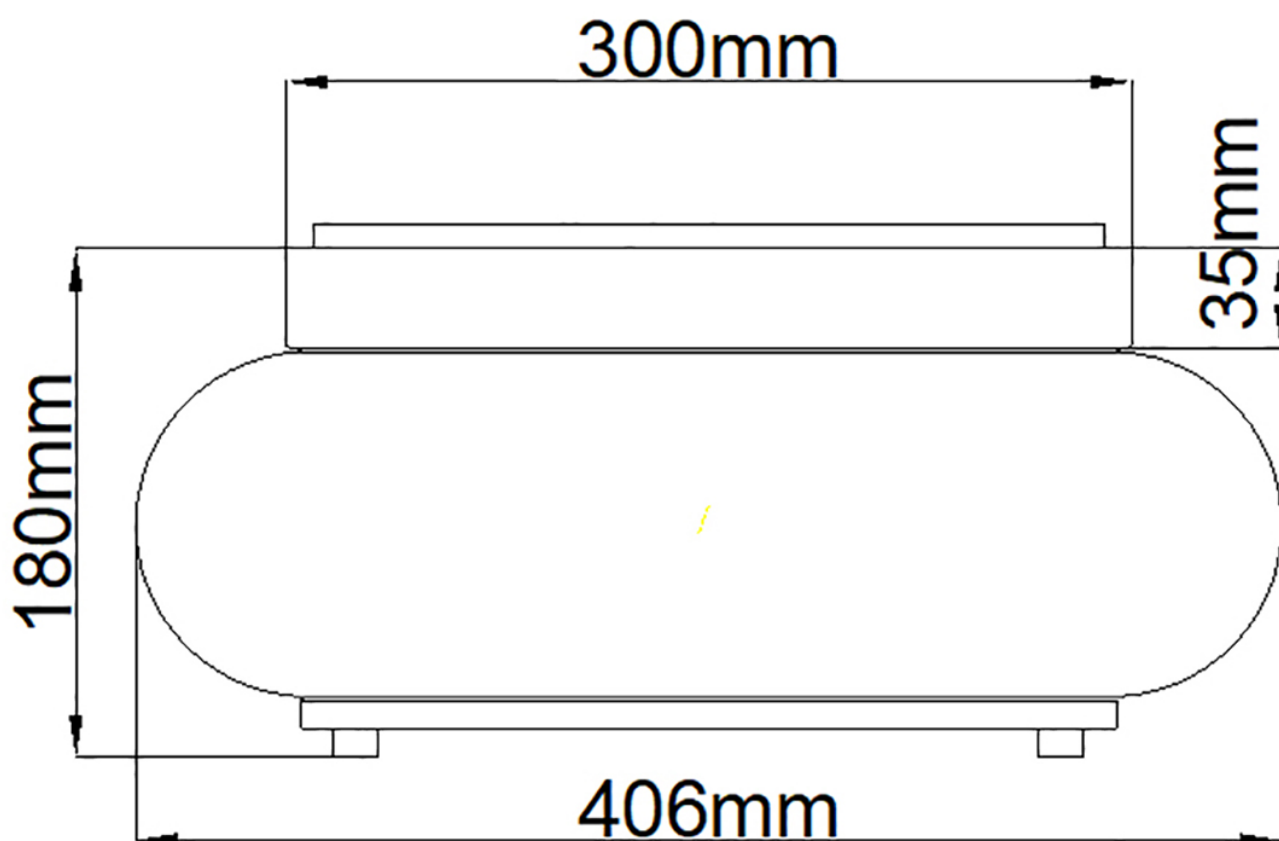


Elstead - Quoizel - Trilogy QZ-TRILOGY-FM-BN Flush Light



## CONTACT