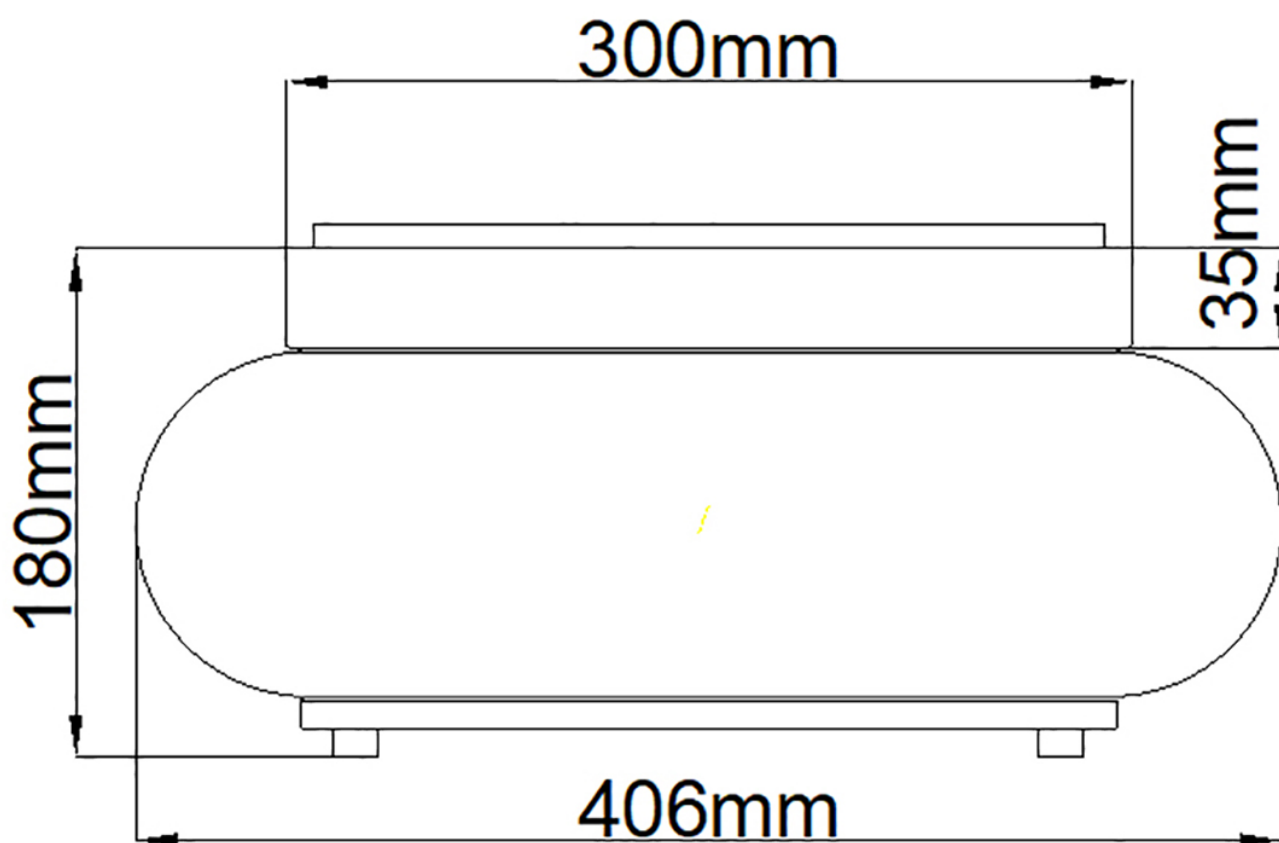


Elstead - Quoizel - Trilogy QZ-TRILOGY-FM-OZ Flush Light



CONTACT