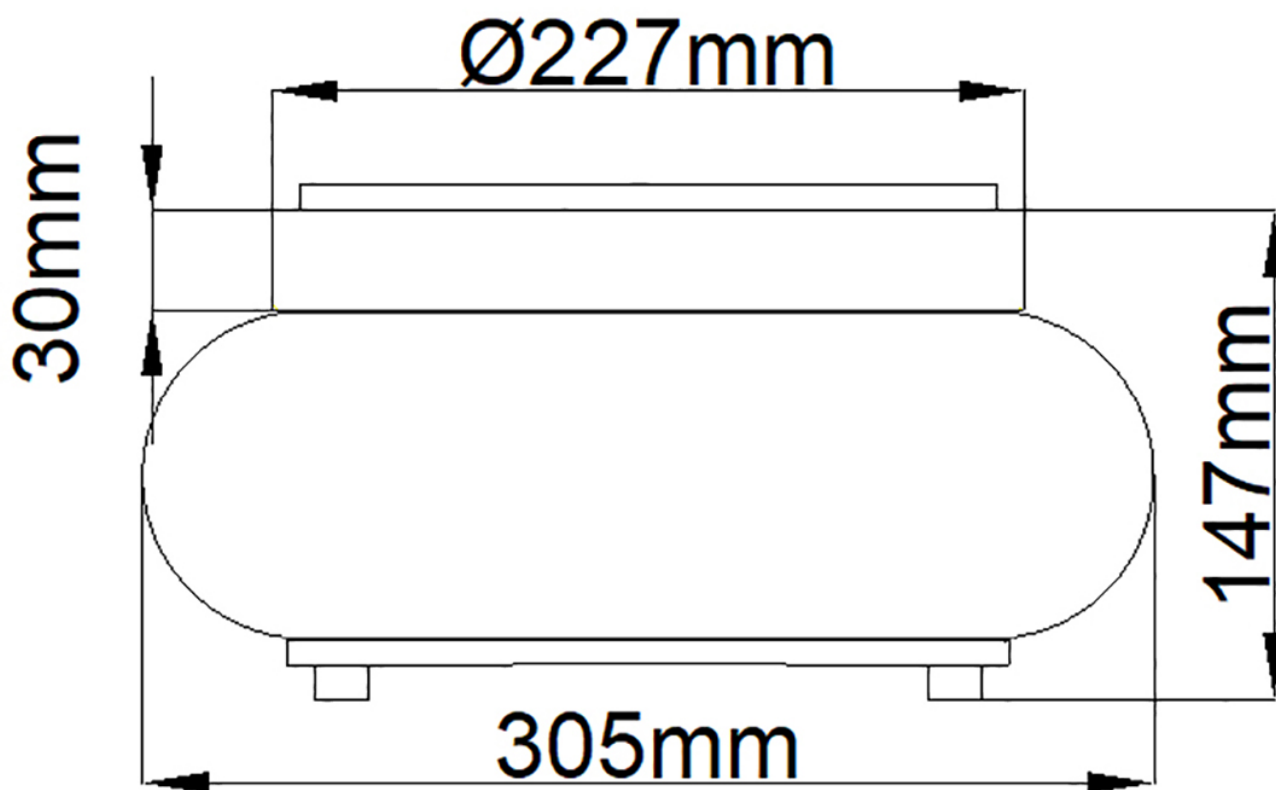


Elstead - Quoizel - Trilogy QZ-TRILOGY-FS-BN Flush Light



CONTACT