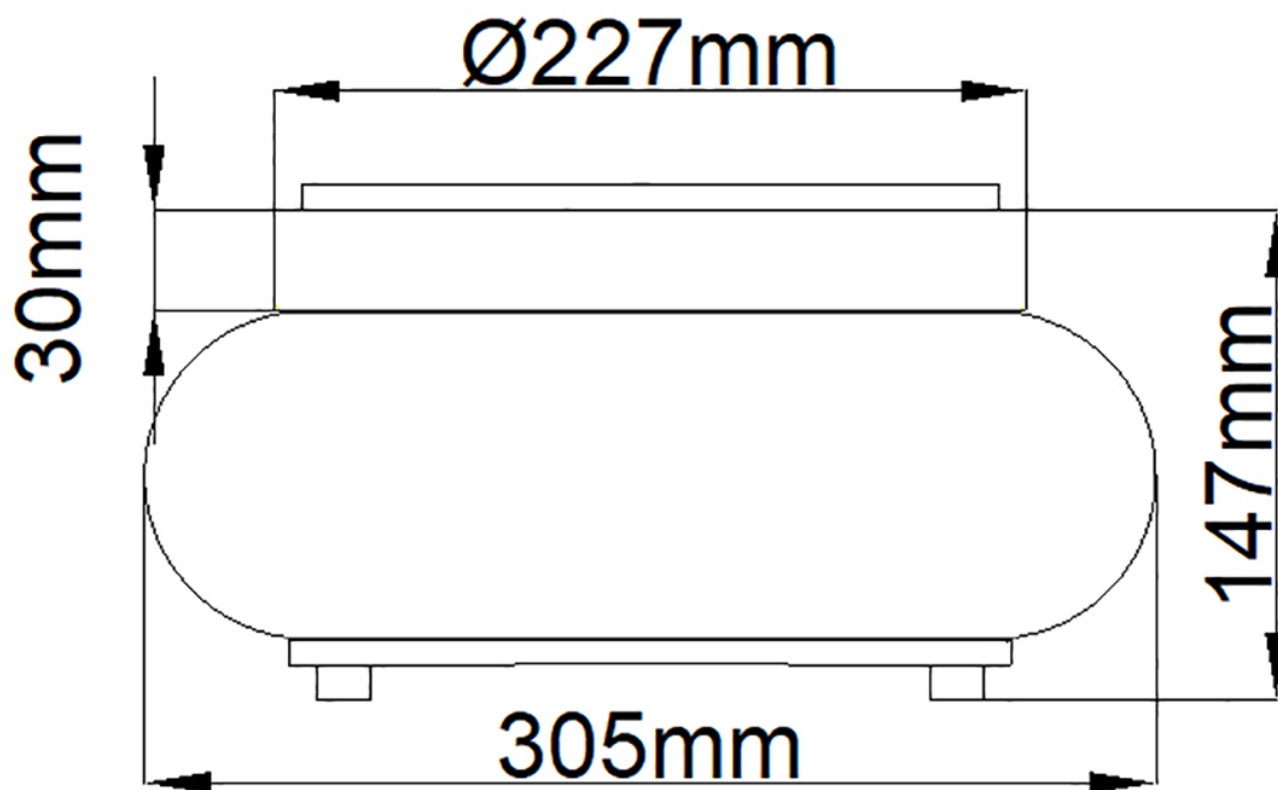


Elstead - Quoizel - Trilogy QZ-TRILOGY-FS-OZ Flush Light



## CONTACT