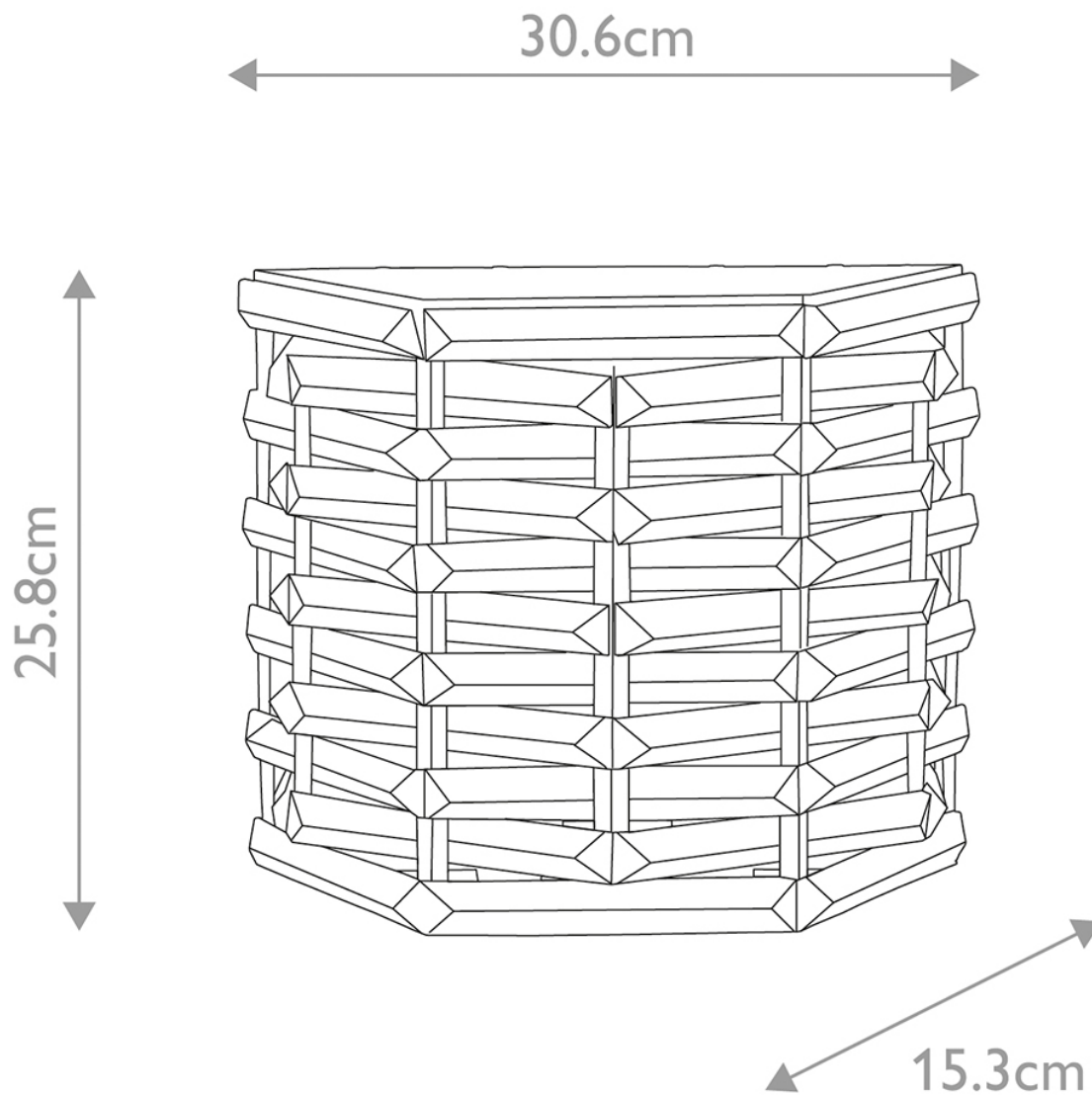


Elstead - Shoal SHOAL2 Wall Light



CONTACT