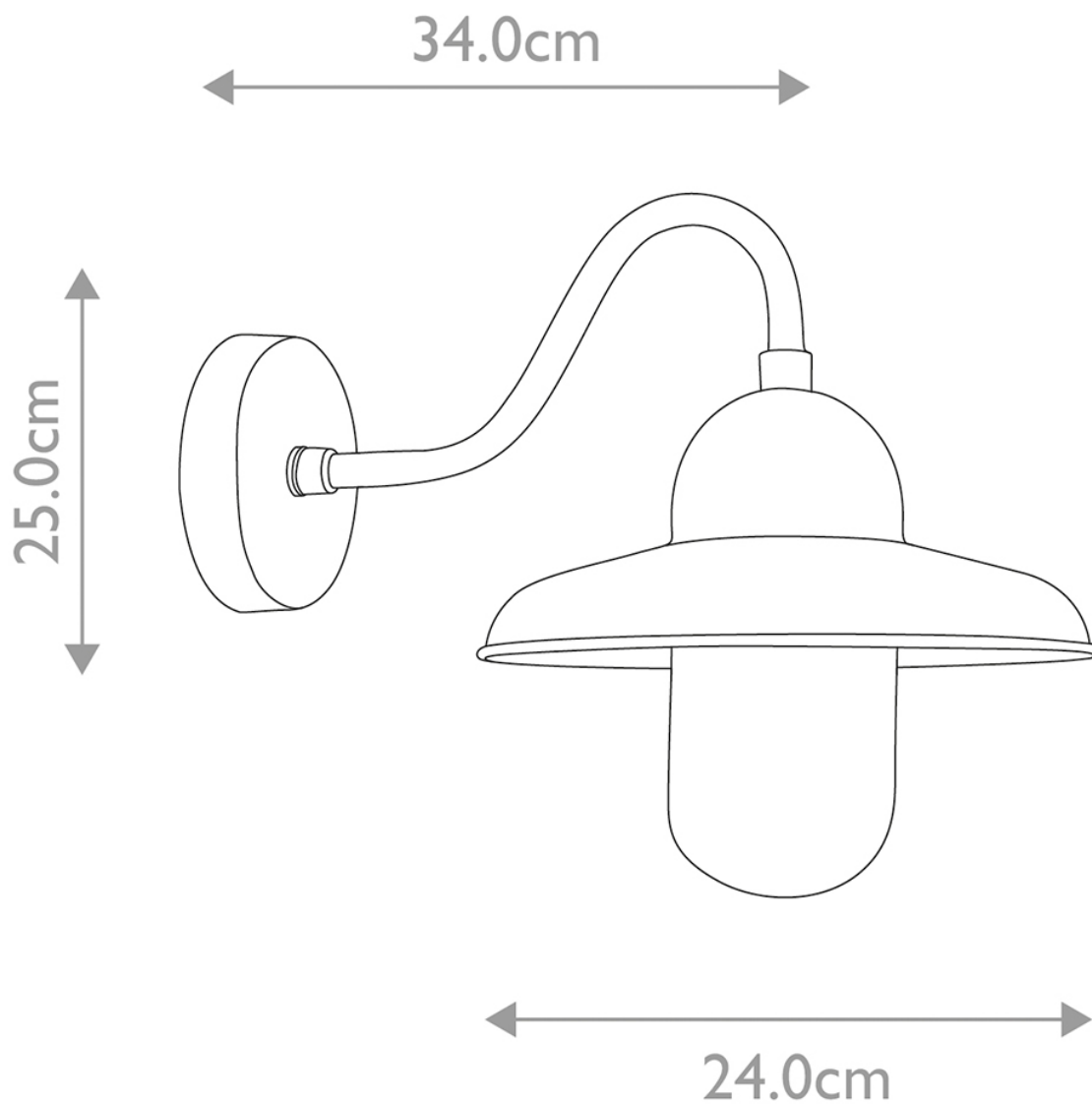


Elstead - SOMERTON-AN Wall Lantern



CONTACT