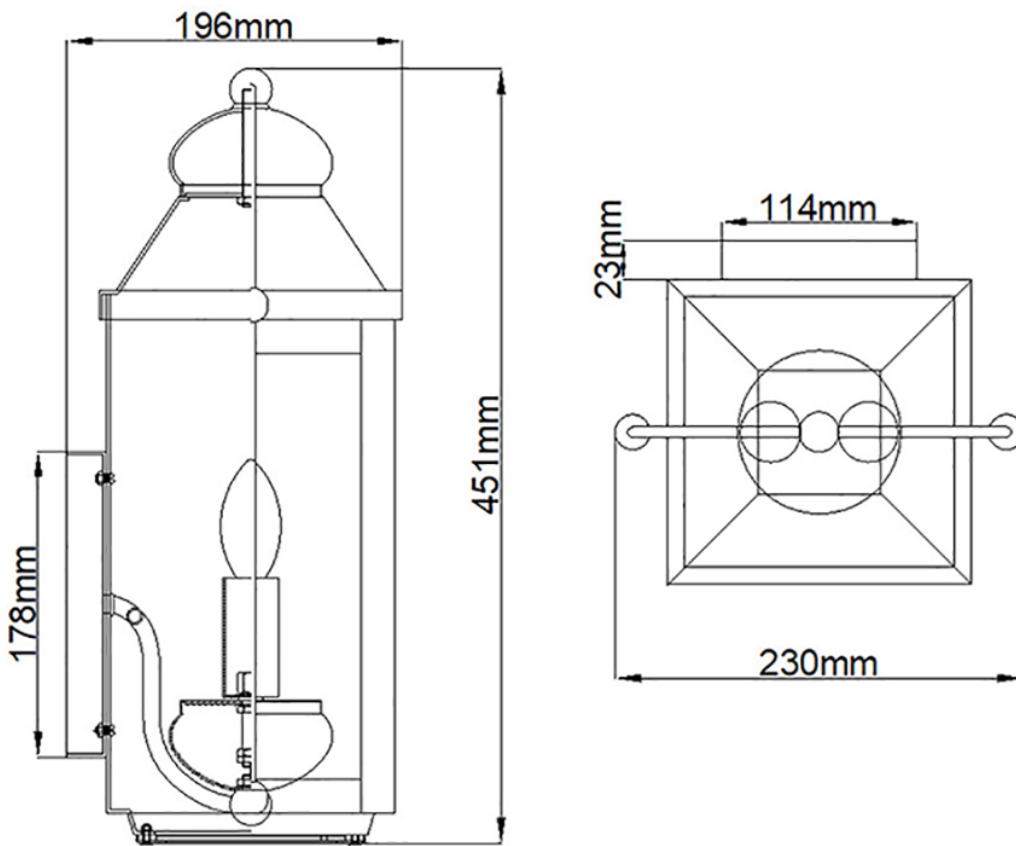


Quintiesse - QN-ANCHORAGE-M - Anchorage 2 Light Wall Lantern



**CONTACT**