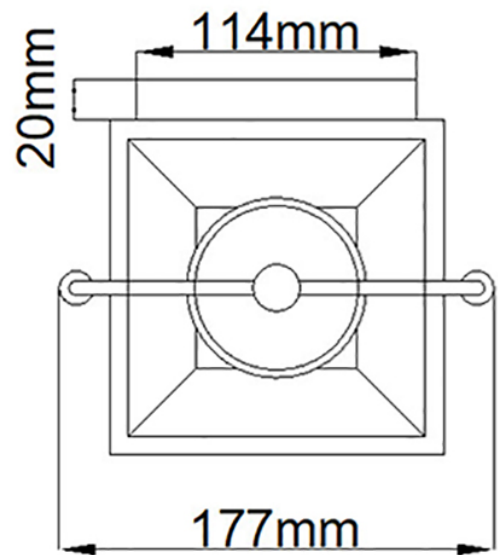
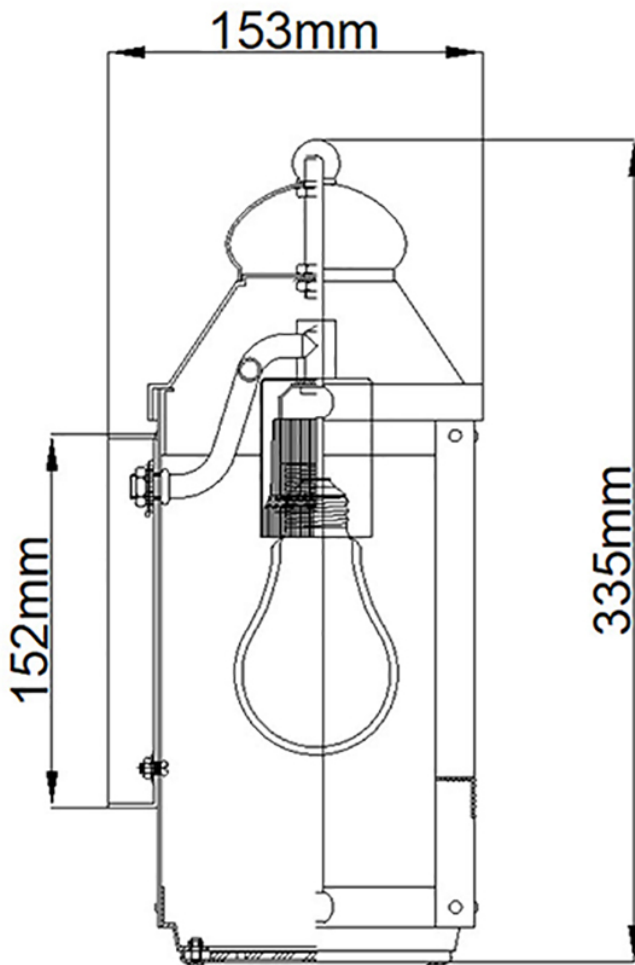


Quintiesse - QN-ANCHORAGE-S - Anchorage 1 Light Wall Lantern



**CONTACT**